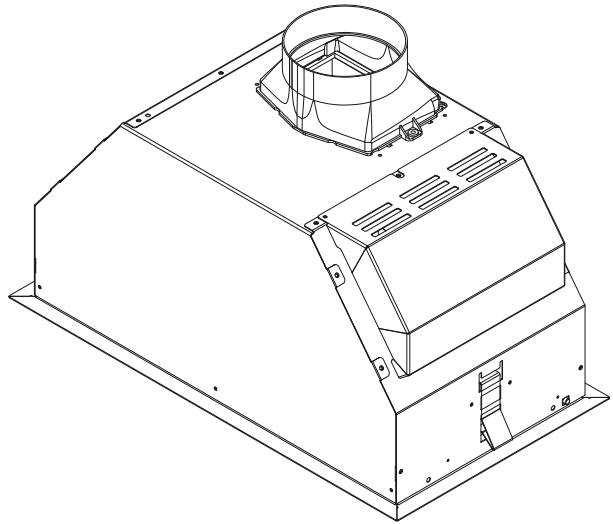
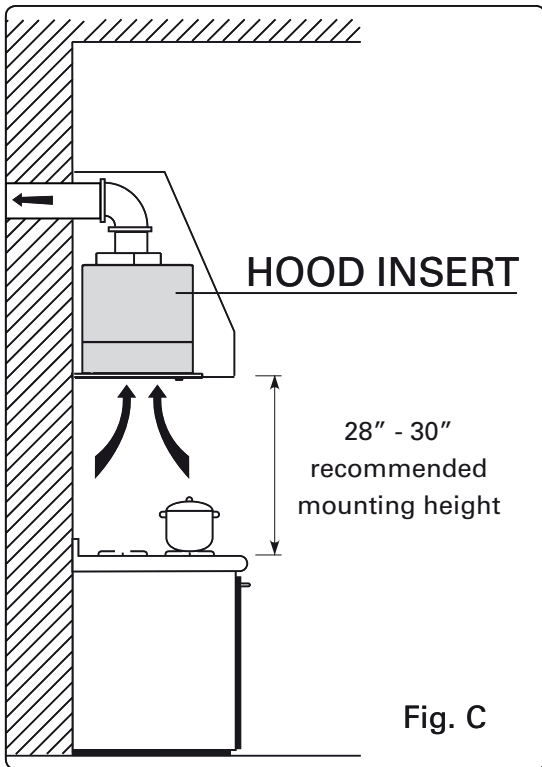


Futuro Futuro
RANGE HOOD
INSTALLATION MANUAL

MODEL: **INSERT/LINER**
(22", 32", 42" VERSIONS)



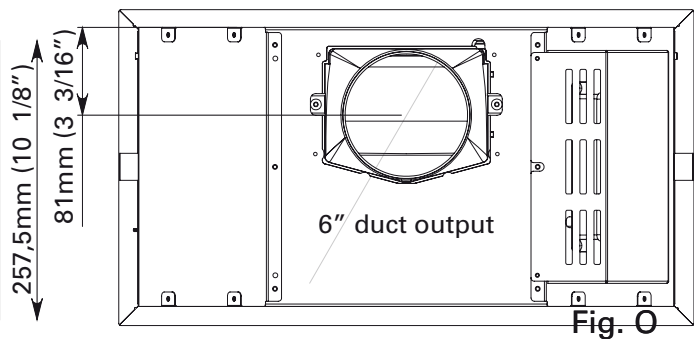
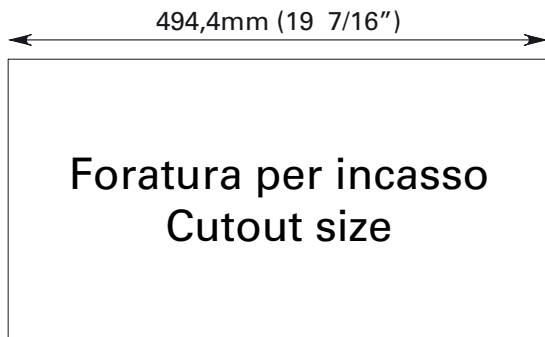
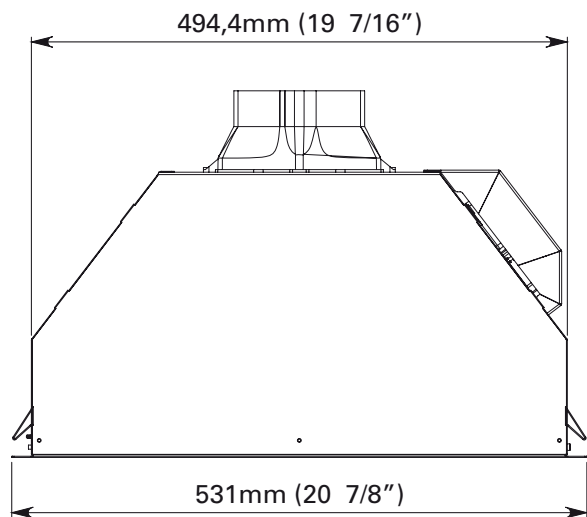
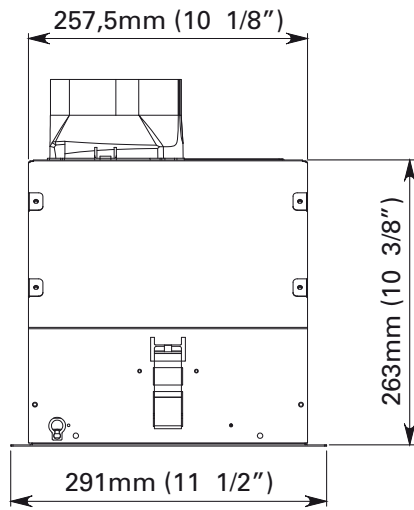
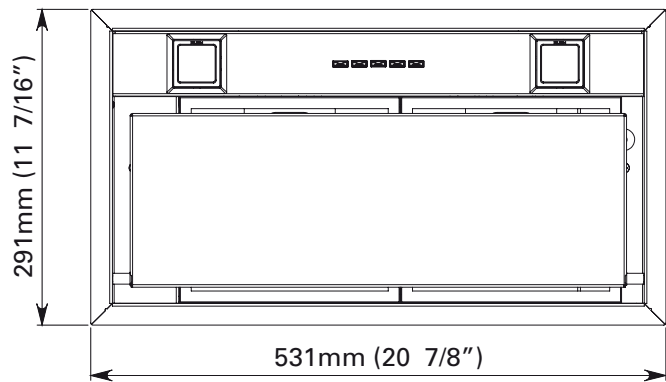
www.FuturoFuturo.com



INSERT-LINER 22"

Dimensions in millimeters (mm) & inches

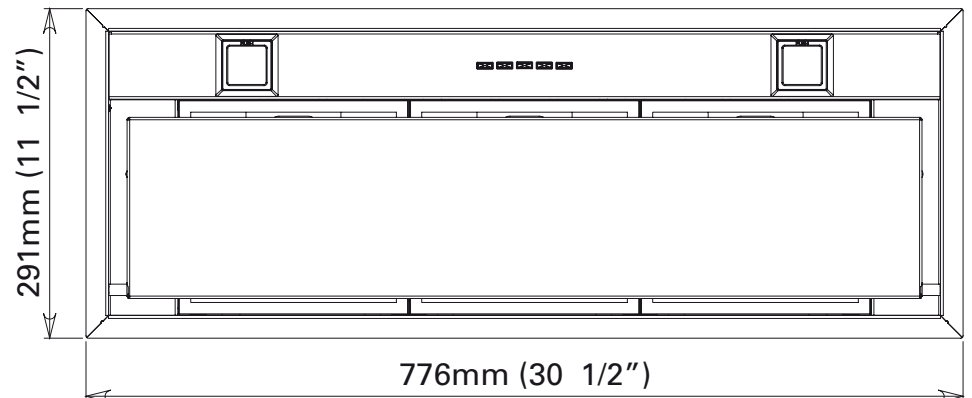
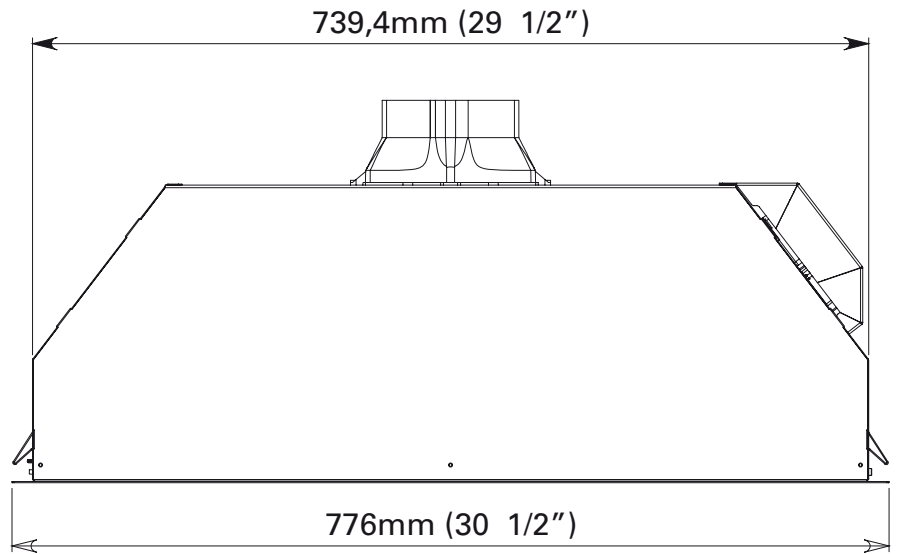
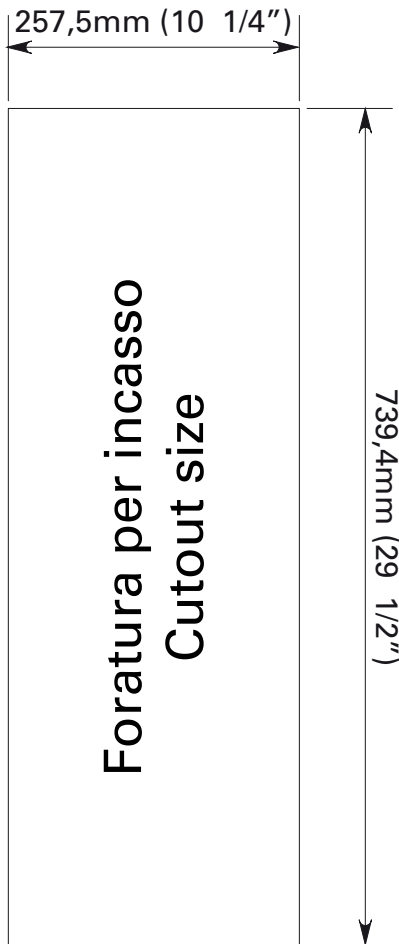
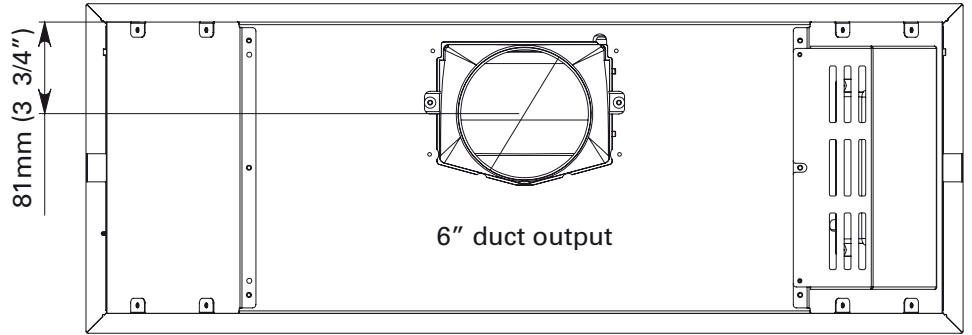
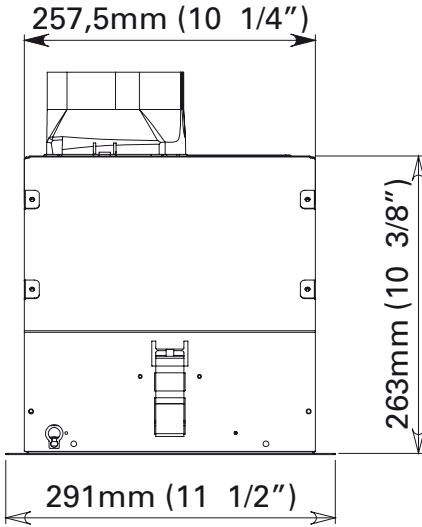
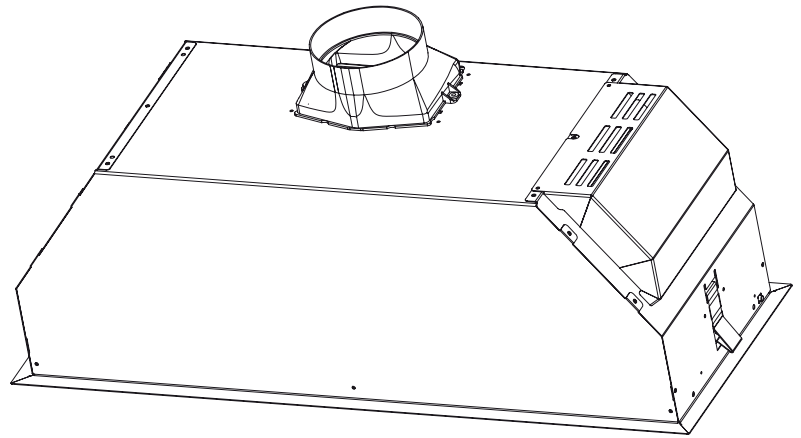
NOTE: Inch dimensions are rounded



INSERT-LINER 32"

Dimensions in millimeters (mm) & inches

NOTE: Inch dimensions are rounded

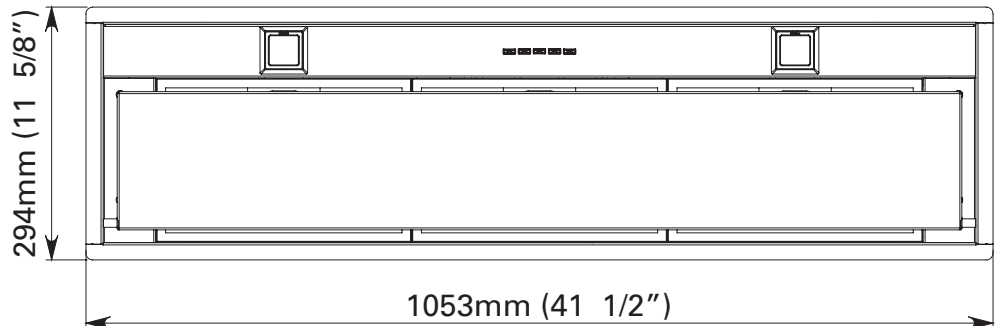
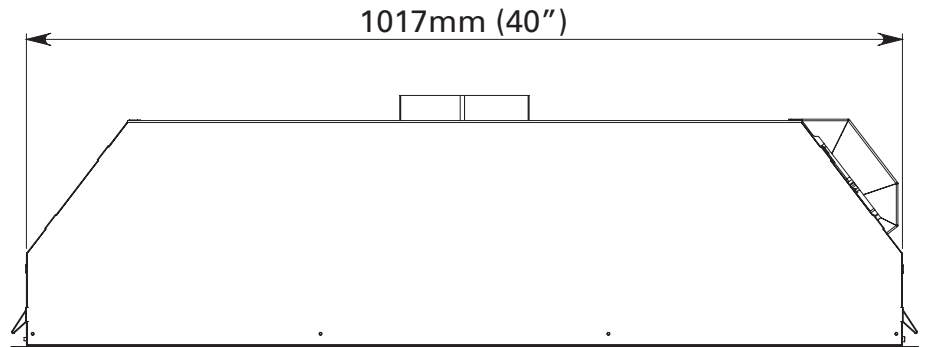
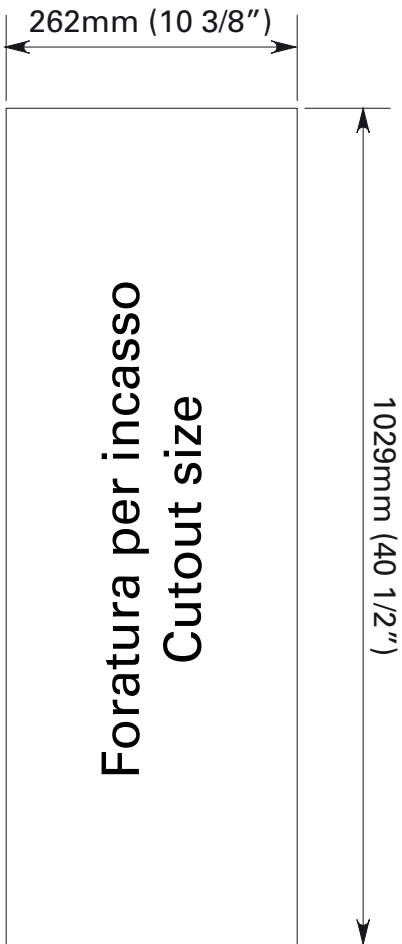
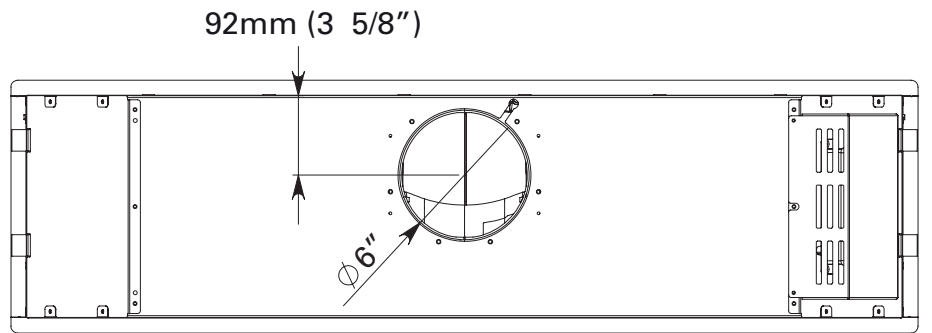
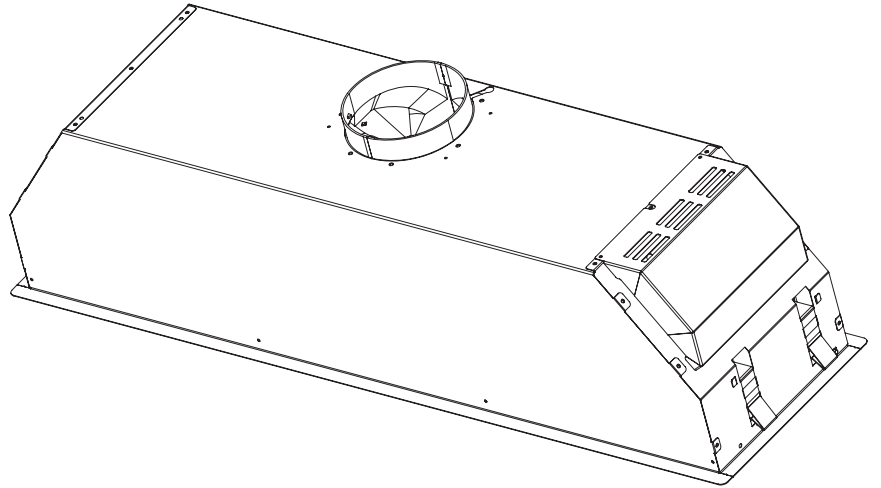
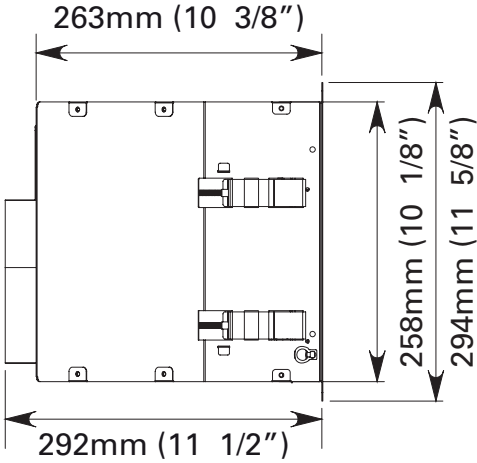


Due to continuous product development and innovation, specifications and sizes are subject to change without notice. It is strongly advised to avoid final commitments to cabinetry dimensions until actual unit is present on-site.

INSERT-LINER 42"

Dimensions in millimeters (mm) & inches

NOTE: Inch dimensions are rounded



Due to continuous product development and innovation, specifications and sizes are subject to change without notice.
It is strongly advised to avoid final commitments to cabinetry dimensions until actual unit is present on-site.

**ISTRUZIONI PER
PANNELLO ASPORTABILE**

**INSTRUCTION FOR
REMOVABLE PANEL**

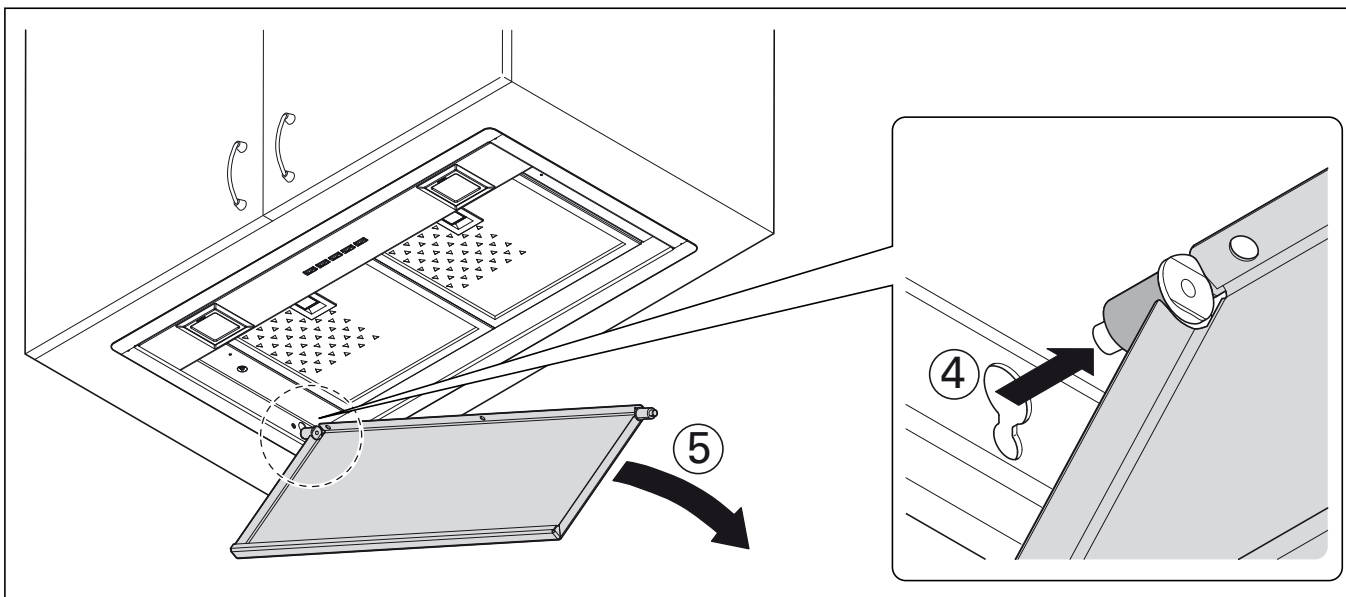
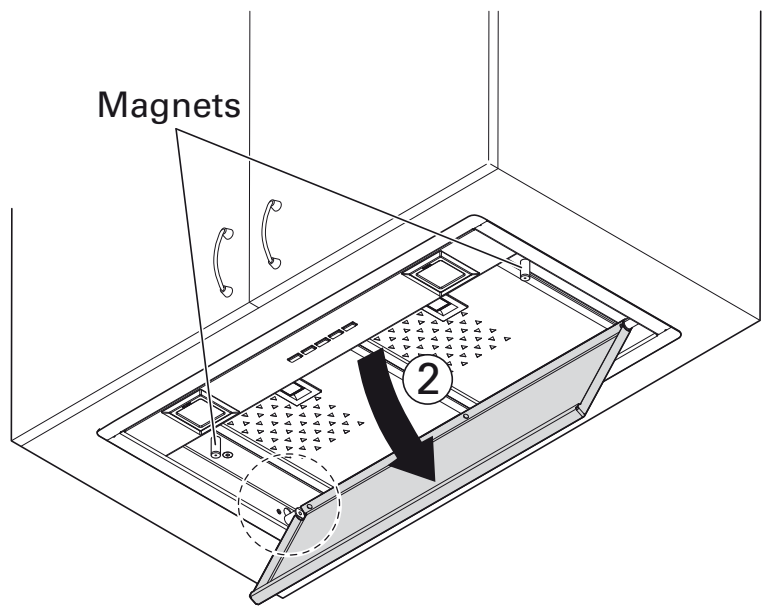
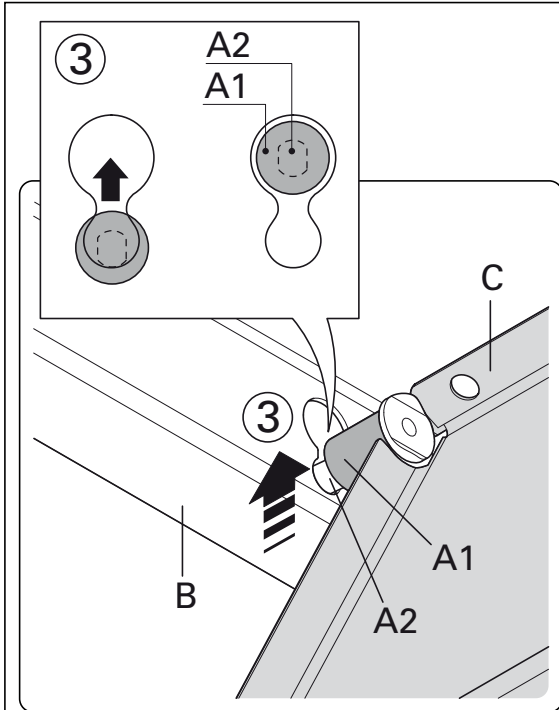
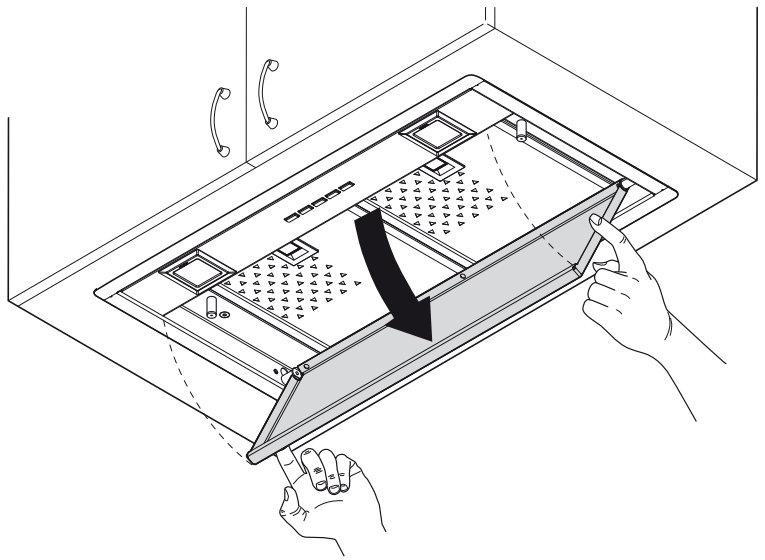
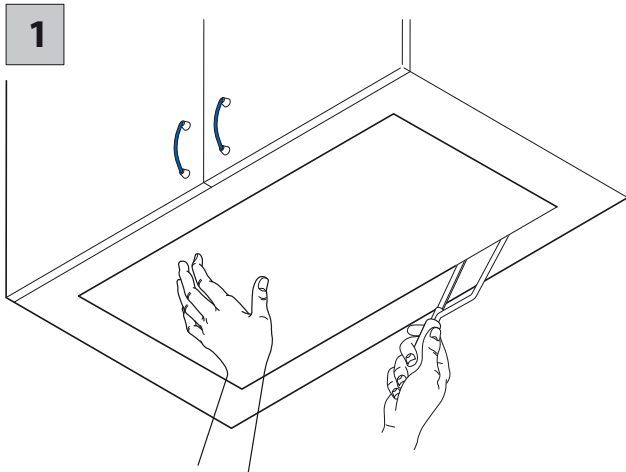
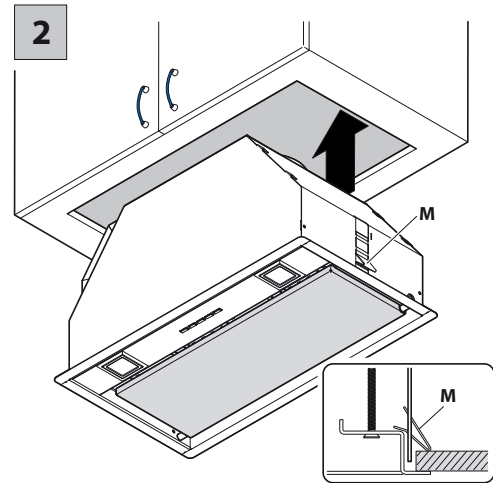


Fig. H1

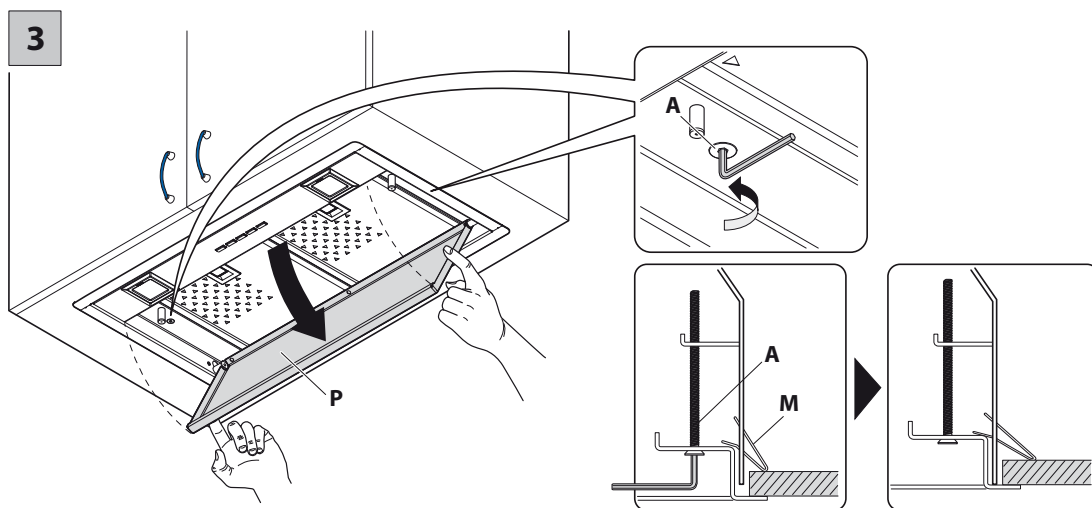
MONTAGGIO GRUPPO INCASSO • INSERT-LINER INSTALLATION



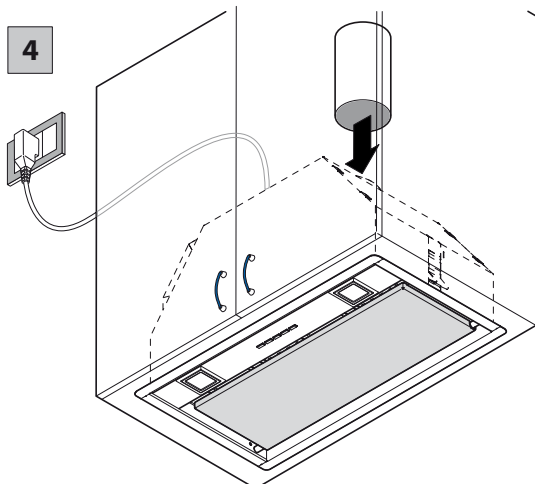
1
Cut the opening & drill holes as necessary for mounting.



2
Insert the ventilation unit into the bottom of the cabinet/enclosure; the springs (M) will hold it in place for ease of installation.



3
Open the panel (P) and tighten the screws (A) until the springs (M) hold the ventilation unit **securely** against the cabinet panel



4
Connect the 3-pin power plug to the power outlet.

Complete the electrical connection **ONLY** after disconnecting the electrical power (circuit breaker).

In the outside ventilation version, connect the output collar of the blower the external duct.

In the recirculating version, attach the charcoal filters to the blower motor.

Install the metal filters, and close the deflector panel.

INSTALLATION

(Section reserved for qualified installers of the range hood)

The distance between the cooktop/range and the lowest part of the rangehood is recommended to be **28 to 30 inches**. This distance is measured from the center of the cooktop/range to the center of the filter panel. For traditional style rangehoods, this equals the lowest part of the hood body; for diagonal style wall-mount rangehoods, this equals the center of the filter area (not the bottom of the hood). Based on this detail provided by European Standards, the distance may be reduced in some models as specified in the distributor's catalogue.

If the instructions for installation for the gas cooktop/range specify a greater distance, this has to be taken into account.

In the outside exhaust version, the diameter of the fume discharge duct must be no smaller than the range hood connection (typically 6 inch diameter), throughout the entire duct run including any outside caps or shutters. In the horizontal sections, the duct must slope slightly (around 10%) upwards, so as to better convey the air outside of the room. Avoid multiple turns, since each turn or elbow reduces airflow. Comply with the current regulations on air discharge into the atmosphere. If a boiler, stove, fireplace, etc. that uses gas or other fuels is being used at the same time, make sure the room where the fumes are extracted is well ventilated, in compliance with the current regulations. Mounting instruction: see section "O" of the booklet.

RANGE HOOD WITH OUTSIDE EXHAUST (DUCTED)

In this version, the fumes and steam from the kitchen are conveyed outside through an exhaust duct. The exhaust conveyor that protrudes from the upper part of the range hood must be connected to a duct that carries the fumes and steam outside. Recommended duct type: 6-inch diameter, round rigid duct. Do not use flexible ducting, as it reduces airflow and creates additional noise.

In an installation with an outside duct, if a charcoal filter is provided, it should be removed (see instructions in Section F).

There must be adequate ventilation of the room when the range hood is used at the same time as appliances burning gas or other fuels, according to the standard.

RECIRCULATING RANGE HOOD (DUCTLESS)

In this version, the air passes through charcoal filters for purification, and is then recirculated back into the kitchen. Check that the charcoal filters are fitted to the motor, and if not, install them as described in the instructions in point H. If the hood is of filtering type, remove the non-return valve fitted at the motor's outlet. Charcoal filters will become saturated after a period of use, and should be replaced regularly, according to cooking volume. Replacement charcoal filters are available from the "Accessories" category of www.FuturoFuturo.com.



For maximum efficiency, the 3rd speed should be used when there are strong odours or a lot of steam, the 2nd speed in normal conditions, and the 1st speed for keeping the air clean with minimum energy consumption. The range hood should be switched on when starting to cook, and left on until the odours disappear. Futuro Futuro range hoods equipped with an electronic control panel provide a convenient 15-minute "Timer" function (clock icon) for this purpose.

ELECTRICAL CONNECTIONS

(Section reserved for qualified installers)

WARNING! Before doing any work inside the range hood, disconnect the appliance from the mains power supply. Check that the wires inside the range hood are not disconnected or cut; if this is the case, contact your nearest service centre. The electrical connections must be performed by qualified personnel and in compliance with the legal standards in force. Check that the circuit breaker and the electrical system are able to support the load of the appliance (see the technical specifications in point B).

Range hoods supplied with a power plug must be plugged into an outlet. Do NOT cut off the power plug and hardwire the unit into the power supply. Please refer to a qualified person. (See technical specifications in point B). The manufacturer declines all liability if the safety standards are not observed.

WARNINGS



This instruction booklet must be kept together with the appliance for future reference. If the appliance is sold or consigned to other parties, check that the booklet is supplied with it, to ensure that the new user has the correct information on the operation of the range hood and is aware of the warnings. These warnings have been provided for your safety and the safety of others. As a result, please read them carefully before installing and operating the appliance.

This appliance is not intended for use by young children or infirm persons unless they have been adequately supervised by a responsible person to ensure that they can use the appliance safely. Young children should be supervised to ensure they do not play with the appliance. The appliance must be installed by qualified personnel, in accordance with the standards in force. If the supply cord is damaged, it must be re-placed by the manufacturer, its service agent or similarly qualified persons in order to avoid a hazard. Any modifications that may be required to the electrical system for the installation of the range hood must only be made by qualified electricians. It is dangerous to modify or attempt to modify the characteristics of this system. In the event of malfunctions or if repairs are required to the appliance, do not attempt to solve the problems directly. Repairs performed by unqualified persons may cause damage. For all repair and other work on the appliance, contact an authorised service/spare parts centre. Always check that all the electrical parts (lights, exhaust device), are off when the appliance is not being used. Read the entire instruction booklet before performing any operations on the range hood. The range hood must only be used for the exhaust of cooking fumes in home kitchens. The manufacturer disclaims all liability for any other use of the appliance.

The maximum weight of any object placed above the hood, or hung to it (if possible) must not exceed 1.5 kilograms (. After installing the stainless steel hood, clean it in order to remove any residue of the protective glue, and stains of grease or oil. The manufacturer recommends its cleaning cloth available for purchase. The manufacturer accepts no liability in case of damage caused by the use of different detergent types.

TECHNICAL SPECIFICATIONS

The technical specifications of the appliance are shown on the rating plates located inside the range hood.

WARRANTY

The new equipment is covered by warranty. The warranty conditions are provided by the distributor. The manufacturer is not liable for any inaccuracies in this booklet resulting from printing or transcription errors. The manufacturer reserves the right to modify its products as it considers necessary or in the interests of the user, without compromising their essential safety and operating characteristics.

SAFETY WARNINGS

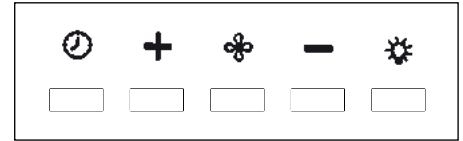
- The electrical system features an earth connection in compliance with international safety standards; furthermore, it is compliant with the European standard for electromagnetic compatibility.
- Do not connect the appliance to flues (from boilers, fireplaces, etc.). Make sure the mains voltage corresponds to the values on the rating plate located inside the range hood.
- The minimum safety distance between the cooktop and the range hood must be at least 65 cm.
- Never cook on "open" flames under the range hood (this definition includes char-grilling and flambéing).
- Check deep-fryers during use: superheated oil may be flammable.
- Ensure there is adequate ventilation of the room when the range hood is used at the same time as appliances burning gas or other fuels.
- The exhaust air must not be discharged into a flue which is used for exhausting fumes from appliances burning gas or other fuels.
- Ensure that all regulations concerning the discharge of exhaust air have been fulfilled before you use the appliance.
- Before performing any cleaning or maintenance operations, disconnect the appliance by unplugging it or using the main switch. The manufacturer disclaims all liability for any damage that may be directly or indirectly caused to people, things and animals due to the failure to follow all the instructions provided in this booklet and above all the warnings relating to the installation, operation and

OPERATION

ELECTRONIC CONTROL PANEL

Light pushbutton 

ON: light on (the pushbutton is lit); OFF: light off;




Pushbutton -

Press to reduce motor speed. Speeds 1, 2 and 3 are indicated by the number of LEDs that light up (excluding the light and the timer LEDs).

Pushbutton +

Press to increase motor speed. Speeds 1, 2 and 3 are indicated by the number of LEDs that light up (excluding the light and the timer LEDs).

In the 4-speed version, when 4th speed is activated, the pushbutton + **blinks**. The 4th speed remains on for 15 minutes, then the motor returns to the 3rd speed. This is done to avoid extracting a great volume of air and causing negative pressure in the living space.

Mode pushbutton (blower icon) 

Turns hood motor on and off. The “Speed Memory” function starts the motor at the last speed that was selected before the hood was last turned off.

Timer & Filter Cleaning Reminder pushbutton

This function allows the automatic turning off of the hood after running for 15 minutes at the speed previously set (the pushbutton shows a **blinking red** light).

After 30 hours of operation, the pushbutton indicates the need for washing the metal filters by showing a solid (not blinking) red light. To reset the filter cleaning reminder timer, press the pushbutton for a few seconds until the red light turns off. Then turn the hood off and on again to check that the

FILTERS - REMOVAL & REPLACEMENT

METAL FILTERS

Open the deflector panel by pressing on 2 corners to release latches (some models use magnetic closures, in which case simply pull the panel open). Use handle to remove the metal grease filter(s).

CHARCOAL FILTERS

NOTE: Charcoal filters should be installed ONLY if the range hood will NOT be connected to an outside duct.

To replace the charcoal filters, proceed as follows: remove the metal filters as described above.

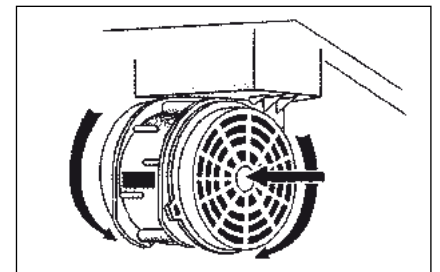
In models equipped with a (white plastic) blower chamber:

- the filter is attached to the bottom of the blower chamber.

In models NOT equipped with a blower chamber:

the filters attach directly to the blower motor (see picture).

To order new charcoal filters, visit the “Accessories” category of www.FuturoFuturo.com



WIRELESS REMOTE

WARNING: Install the hood away from sources of electromagnetic waves, as these could affect the correct operation of the electronic system. Maximum operating distance: 5 metres. The maximum operating distance could be less than 5 metres in case of electromagnetic interference by other equipment.

REMOTE CONTROL FUNCTIONS:

“Lights” button - turns lights on / off.

“+” button - turns on range hood or increases speed (1 through 4).

“-” button - turns on range hood or decreases speed (1 through 4).

RADIO CONTROL OPERATING AT 433.92MHZ.

Technical characteristics: Power supply 3V lithium battery (type Cr2032)

Trans. consumption 6mA

Antenna incorporated: Oscillating type SAW

Working temp. -10°C to + 55°C

By pressing one of the keys the led will illuminate and indicate the transmission of the code. If the led does not illuminate, the battery may require replacing.

Replacing the battery: open the rear cover and insert the battery respecting the correct polarity.

ATTENTION! If the battery is replaced with one that is of the wrong type there is the possibility of an explosion. When discharging the battery, follow the respective regulations that are currently in force. The manufacturer declares that this radio control conforms to all of the technical regulations related to the product and within the application confines of the directive 1999/5/CE. All of the necessary radio frequency tests have been performed.

ETSI EN 300 220-2 V2.1.2 (2007-06) • EN 60950-1 (2001) • ETSI EN 301 489-1 V1.4.1 (2002) EN 50371 (2004-06) • ETSI EN 301 489-3 V1.4.1 (2002)

INSTRUCTION FOR CHANGING THE WIRELESS REMOTE CONTROL CODE

(to be used only in the case of malfunction due to interference).

Disconnect the range hood from the mains power supply.

To enter in the “change code mode”, the remote control buttons “Lights” and “Timer” must be pressed together for more than 3 seconds. After 3 seconds the LED starts flashing slowly.

In the “change code mode”, press the button “-“. Within 5 seconds a new code is generated and memorized within the radio control. The memorizing is confirmed by 3 quick LED flashes. To get back to the default code: press “-“ and “+” (remote control) together for more than 5 seconds. After 5 seconds, the default code is memorized within the radio control. The memorizing is confirmed by 3 quick LED flashes. Plug the device to the mains and check that lights and motors are off. Press the timer button on the push-button panel for 2 seconds and, when the red LED lights up, press any of the radio control’s buttons within 10 seconds. With this operation a new transmission code is registered.



CLEANING & MAINTENANCE

Regular maintenance ensures the correct operation and efficiency of the appliance over time. Special attention should be paid to the metal grease-trapping filters and the charcoal filters. Frequent cleaning of the filters and their supports will ensure that fats and grease do not accumulate on the range hood, with the consequent risk of fire.

METAL GREASE-TRAPPING FILTERS

These filters trap the fat and grease particles suspended in the air, and therefore should be washed regularly. Depending on the volume and style of cooking, cleaning frequency between once per week and once per month is recommended. Metal filters should be cleaned in the dishwasher, but may also be washed by hand with hot water and dish soap, taking care to avoid bending the metal mesh.

Before replacing the filters in the range hood, make sure they're completely dry.

CHARCOAL FILTERS

These filters trap the odors present in the stream of air that passes through them. The air is purified by passing a number of times through the filters and being recirculated into the kitchen. The charcoal filters cannot be cleaned, and should be replaced on average every 3-4 months (according to use). For replacement filters, see the "Accessories" section of www.FuturoFuturo.com.

CLEANING THE OUTSIDE OF THE APPLIANCE

It is advised to clean the external hood surfaces at least every 15 days in order to avoid the buildup of grease particles on the range hood surface.

Stainless steel range hoods can be cleaned with any non-abrasive stainless steel cleaner, including WD-40 (available from any local hardware or auto parts store).

FaSteel fingerprint-free steel should be cleaned **ONLY** with a soft cloth moistened with water (including a little neutral soap if desired). Do NOT clean FaSteel-treated surfaces with WD-40 or stainless steel cleaner, as it will cause undesirable appearance changes.

Glass panels and parts can be cleaned with soap+water, or Windex or similar non-abrasive glass cleaner.

CLEANING THE INSIDE OF THE APPLIANCE

If needed, the inside of the range hood may be cleaned after disconnecting the power supply (circuit breaker) with a soft cloth moistened with warm water and neutral soap. Avoid touching any exposed electrical or electronic parts, wipe all surfaces dry and ensure no moisture remains inside the range hood prior to reconnecting the power supply.

CLEANING & MAINTENANCE

HALOGEN SPOTLIGHT

To replace light bulbs in range hoods equipped with a square halogen light fixture:

- 1.) Check that the equipment is disconnected from the power supply.
- 2.) Press the side of the light fixture cover marked "PUSH" and swing panel open completely.
- 3.) Replace the light bulb and close the fixture. NOTE: if the fixture was not opened completely, it will not lock.

Replacement light bulbs are available from local major hardware stores / lighting stores (ask for 12-volt, 20-watt, type G4 halogen bulbs), or from the "Accessories" section of www.FuturoFuturo.com

Please note: halogen light bulbs should NEVER be handled with bare hands, since the moisture/oil will significantly shorten the lifespan of the bulb or cause immediate failure. Use latex gloves, plastic wrap, or paper towel to handle the new bulbs.

