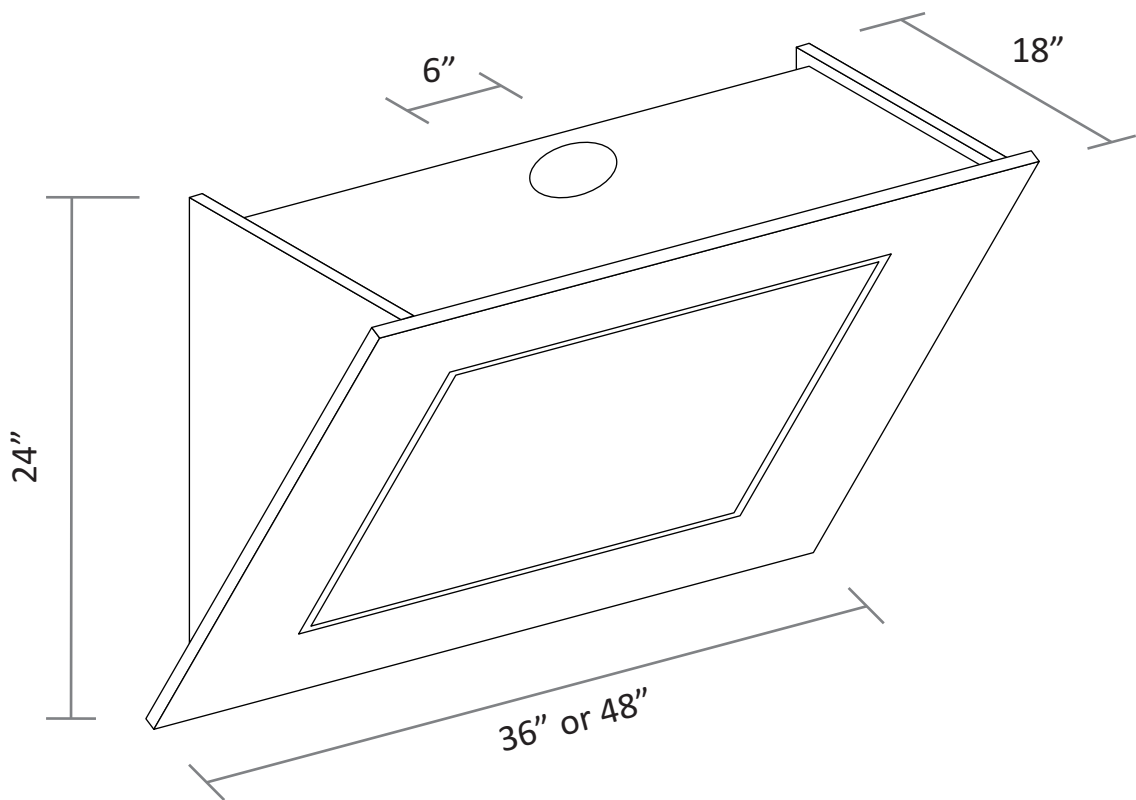
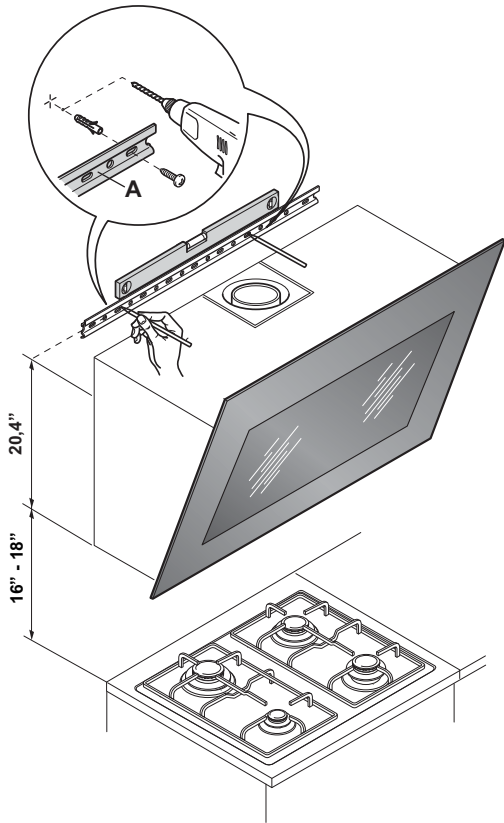


***Futuro Futuro***  
**RANGE HOOD**  
**INSTALLATION MANUAL**  
**QUEST BLACK / QUEST WHITE**  
**36" & 48" VERSIONS**



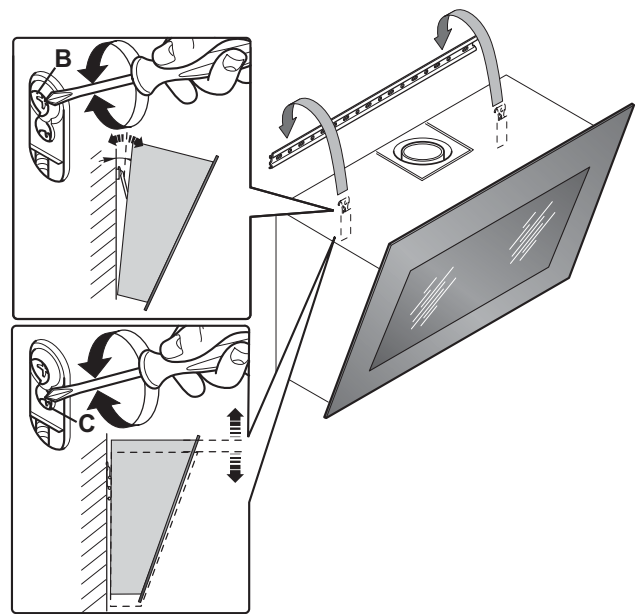
[www.FuturoFuturo.com](http://www.FuturoFuturo.com)

# QUEST - BASIC INSTALLATION



## Step 1:

Recommended distance from cooktop to range hood: 16" - 18". Mounting bracket is 20.4" above the bottom of the range hood. Note: mounting bracket screws must be attached to joists, 2x4's, or 3/4" plywood. Do not attach the range hood to sheetrock alone.

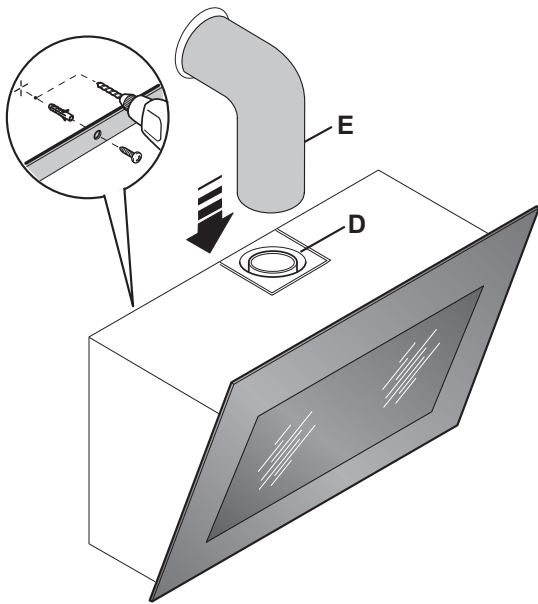


## Step 2:

Make sure the hood is level, as well as plumb against the wall. Adjust the position by turning the adjustable screws built into the mounting hooks.

## Electrical Outlet:

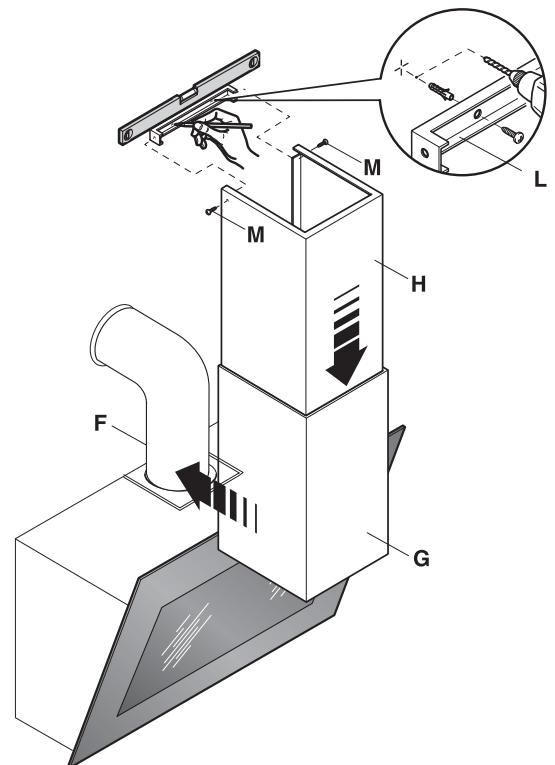
The location of the electrical outlet (US standard 110V, 3-pin) depends on specific installation parameters and local building codes. Outlet may be placed above the top edge of hood body, or inside the hood body (requires cutting a hole in rear wall).



## Step 3:

Duct requirements: 6" round, rigid type. Do NOT use flexible ducting. Note: duct may be routed into the wall (as shown), or vertically.

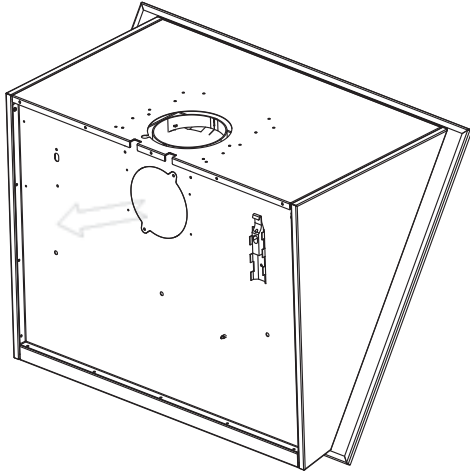
**Rear Exhaust Option:** if desired, duct may also be routed through the rear of the unit - see next page of this manual.



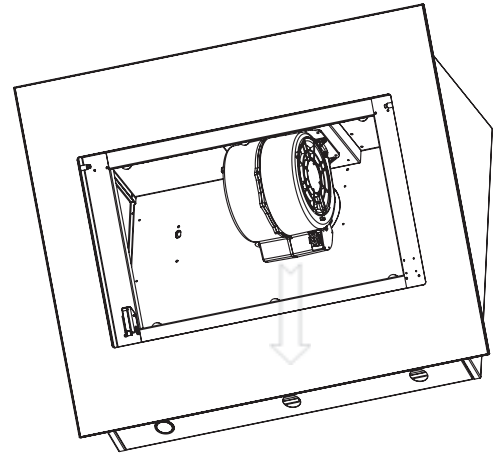
## OPTIONAL - Step 4:

If using a chimney cover, attach the cover mounting bracket to wall, then attach the cover section(s).

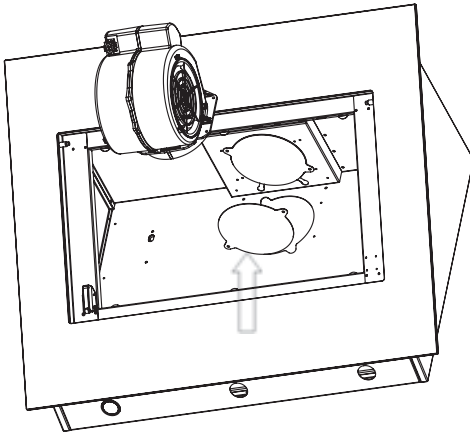
# QUEST - REAR EXHAUST



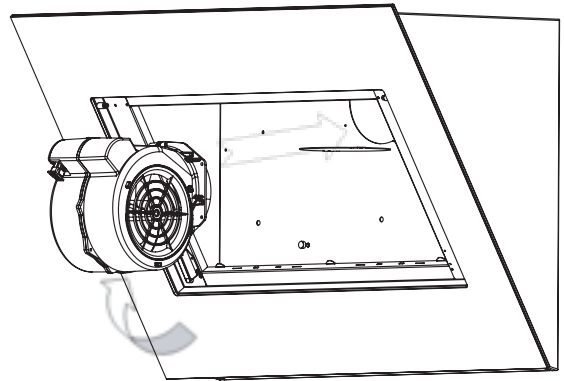
The Quest range hood is equipped with a reversible blower mount that allows the user a choice of vertical or horizontal ducting (rear exhaust). A removable knock-out plate is provided on rear of unit.



Step 1: disconnect 1 plug (on bottom of blower), then remove 4 screws holding the blower.



Step 2: remove blower, then remove the knock-out plate on rear wall of range hood. Rotate the blower 90 degrees and insert into the hole left by the knock-out plate.



Step 3: secure the blower with the 4 screws removed in Step 2, and reconnect the plug. Connect the range hood to 110V AC power supply and test its operation **prior** to continuing installation.