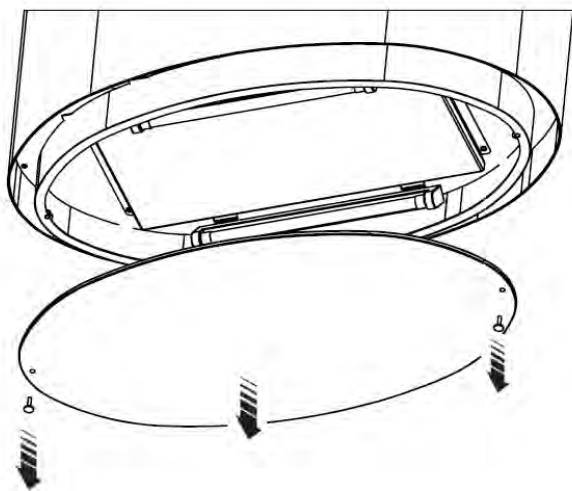


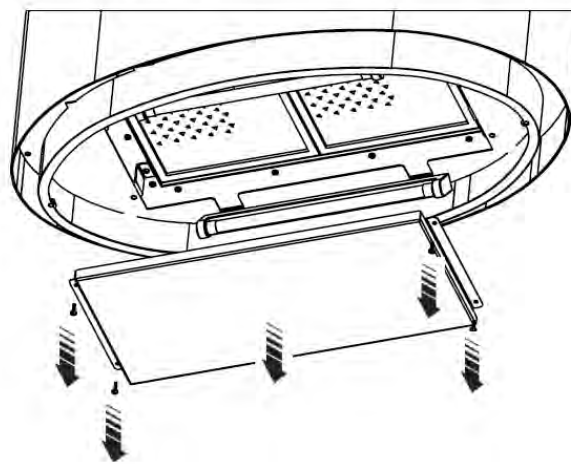
### MOUNTING INSTRUCTIONS FOR “ELLIPSO” ISLAND HOOD ISTRUZIONI MONTAGGIO CAPPA ELLIPSO ISOLA

Step 1



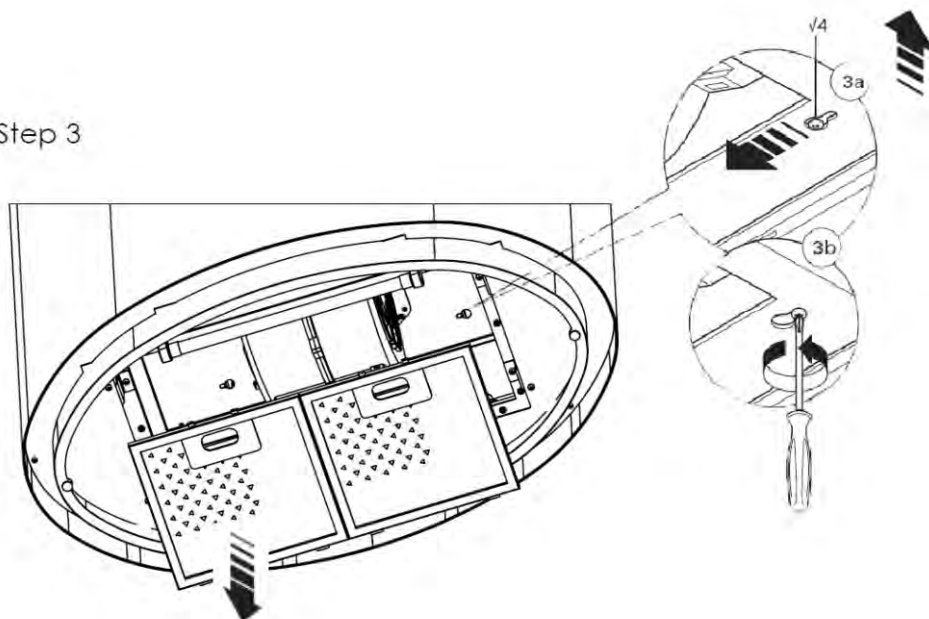
Step 1: remove glass cover.

Step 2



Step 2: remove metal panel.

Step 3



Step 3: remove grease filters to access main mounting screws.

Step 4: follow standard installation procedure described in the  
Universal Island Range Hood Installation Manual.