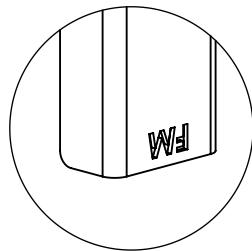
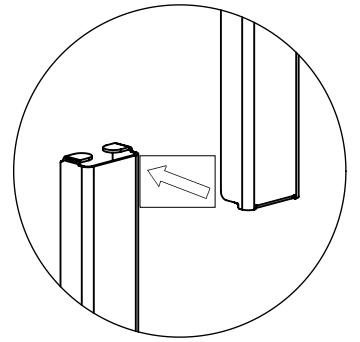
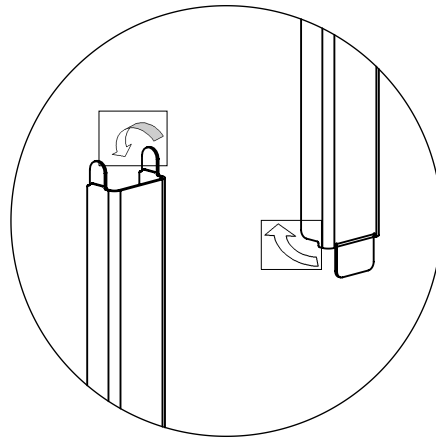
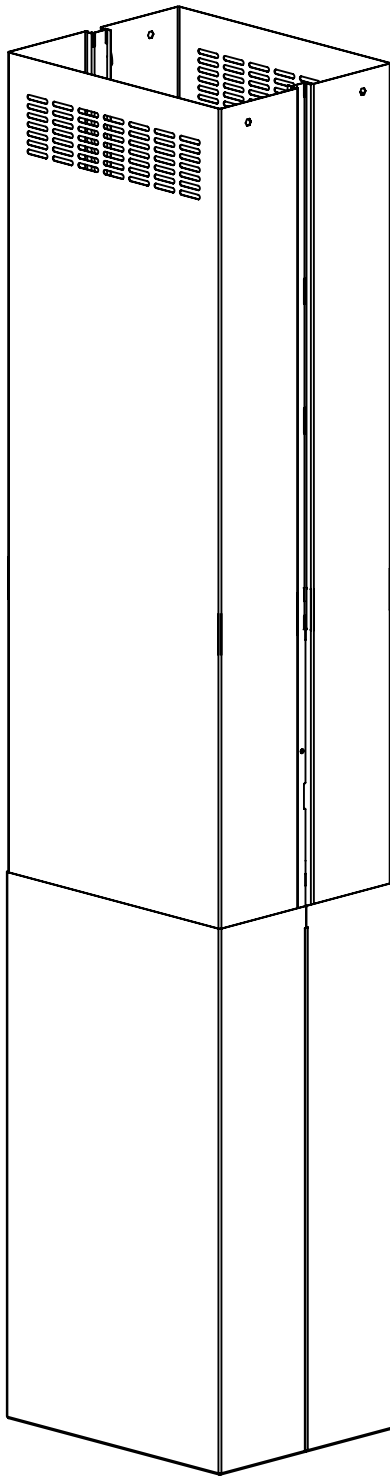
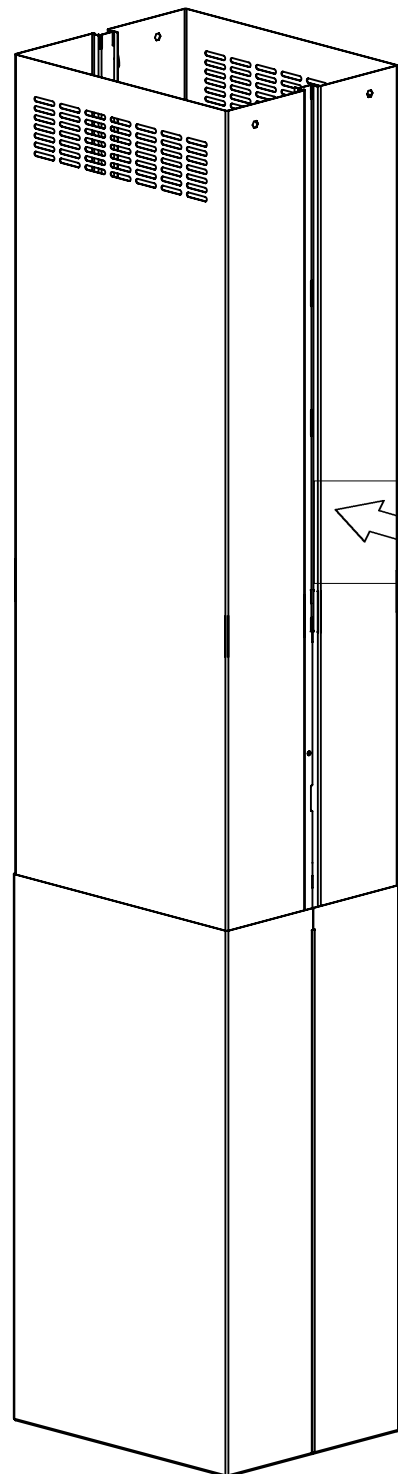


STEP 1

A (1:2)



B (1:1)



STEP 2