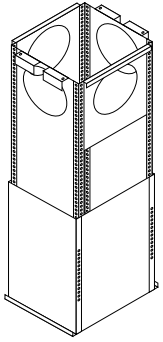


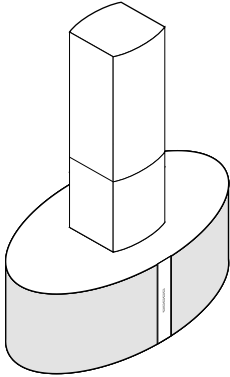
MINIMUM CHIMNEY HEIGHT MODIFICATION

1 SUPPLIED COMPONENTS

Load-bearing latticework
(gray painted steel)

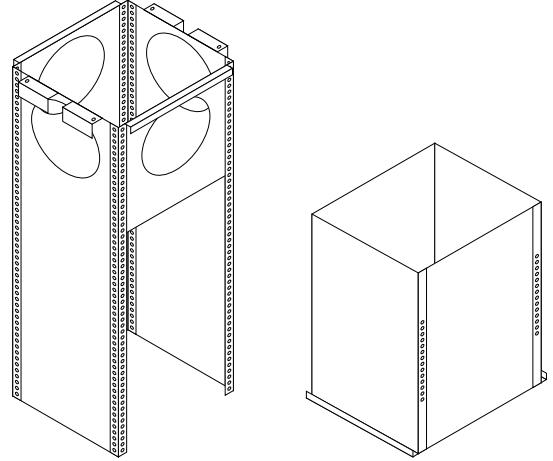


Outer chimney cover
(polished stainless steel,
covered by protective
white plastic film)



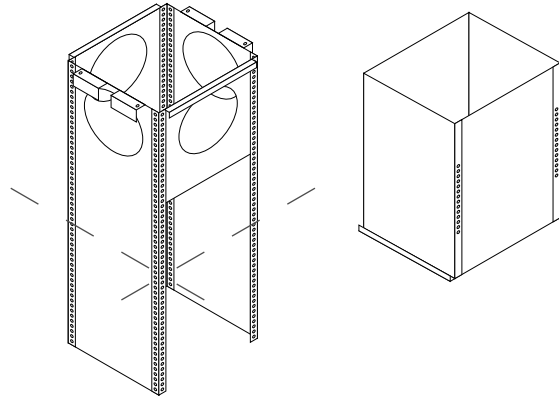
2 SEPARATE

Separate the latticework sections.



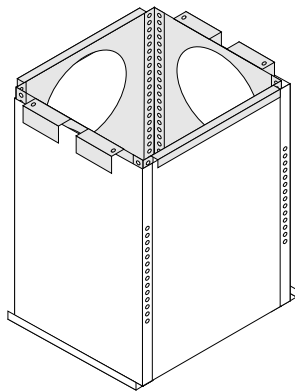
3 TRIM TO FIT

Cut the latticework section(s) to fit desired height.
Cutting can be done with any suitable tool
(electric jigsaw, Dremel multi-tool, etc), since this internal
cut line will not be visible once the outer cover is installed.
NOTE: You may also need to trim the outer stainless steel
cover(s) to match the new height of the latticework.



4 RECONNECT

3.) Reconnect the
latticework sections.
The assembly is shorter,
but still retains the
upper & lower screw holes
necessary for mounting.



5 INSTALL

Follow the installation procedure in the manual.

