

Toll Free: 800-230-3565  
Technical: 718-236-1570  
Fax: 718-236-1573  
www.futurofuturo.com  
futurofuturo@optonline.net

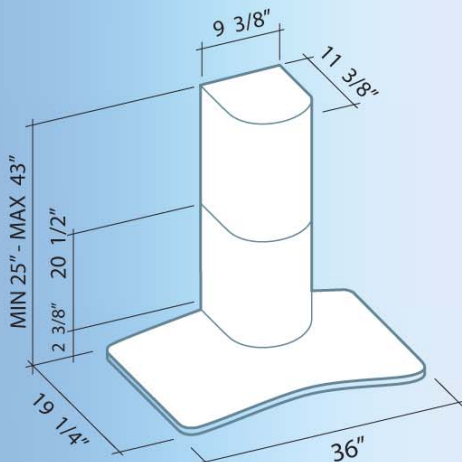


## Model: 36" Moon Crystal - Wall

### Features:

Stainless steel AISI 304  
Tempered glass  
4 speed electronic controls  
Delayed shut off (15 min)  
Electronic reset  
2 x 20w halogen lights  
2 x dishwasher safe filters  
Duct / ductless  
6" round duct output  
Quiet tangential motor  
Noise absorbing motor chamber  
Power consumption:  
110-120v / 60Hz / 4.0AMP / 940CFM  
Noise level: 0.5 - 3.2 sones  
Automatic thermo protection  
CSA / ANSI / UL certified  
Made in Italy  
Warranty:  
1 year - labor & parts  
+ 2 years - parts

### 36" Wall Mount



---

---

---

---

---

---

---

---