

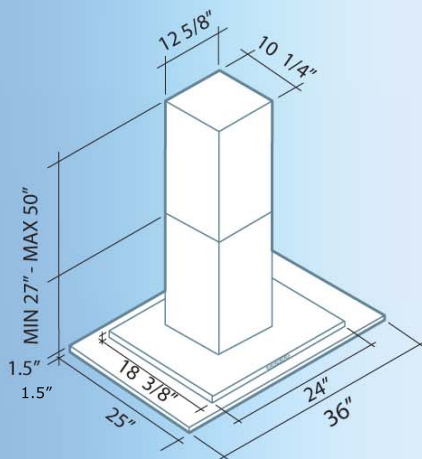


## Model: 36" Venice - Island

### Features:

- Stainless steel AISI 304
- Tempered glass
- 4 speed electronic controls
- Delayed shut off (15 min)
- Electronic reset
- 4 x 20w halogen lights
- 2 x dishwasher safe filters
- Duct / ductless
- 6" round duct output
- Quiet tangential motor
- Noise absorbing motor chamber
- Power consumption:  
110-120v / 60Hz / 4.0AMP / 940CFM
- Noise level: 0.5 - 3.2 sones
- Automatic thermo protection
- CSA / ANSI / UL certified
- Made in Italy
- Warranty:
  - 1 year - labor & parts
  - + 2 years - parts

### 36" Island Mount



---

---

---

---

---

---

---

---