



Note: 36" model shown.
48" model has 4 filter panels.

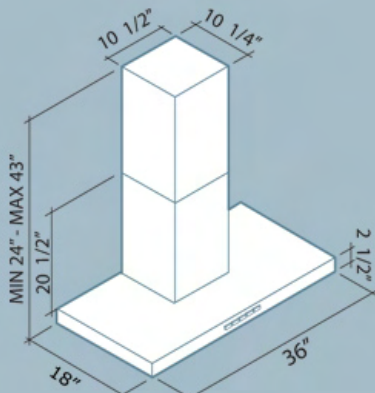
Model: Plane - Wall mount

Available in: 36" and 48" widths

Features:

- Wall Mount
- Dimensions, 36" version: 36" x 18" x 2.5"
- Dimensions, 48" version: 48" x 18" x 2.5"
- Telescopic chimney (height: 24" min - 43" max)
- Highest quality stainless steel - AISI 304
- Multi-function, illuminated control panel
- 4-speed blower control
- Delayed shut-off feature
- Electronic Filter Cleaning Reminder
- 2x 25-watt halogen lights
- 36" model: 3x lifetime dishwasher-safe filters
- 48" model: 4x lifetime dishwasher-safe filters
- Duct / ductless installation option
- 6" diameter duct output
- Dual chamber, whisper-quiet tangential motor
- Patented sound-absorbing motor chamber
- Power: 110-120V / 60Hz / 4.0A / 940CFM
- Noise level: 0.5 - 3.2 sones
- Automatic thermo protection
- Radio interference protection
- CSA / ANSI / UL certified - US and Canada
- 70 page installation manual included
- 3 Year Factory Warranty
- Made in Italy

36" Wall-Mount



48" Wall-Mount

