

# *Futuro* *Futuro*



## **Skylight**

Designer range hood  
54" version

LIBRETTO ISTRUZIONI

INSTRUCTIONS BOOKLET

GEBRAUCHSANWEISUNG

MODE D'EMPLOI

MANUAL DE INSTRUCCIONES

ИНСТРУКЦИИ

INSTRUKCJA OBSŁUGI

GEBRUIKSHANDLEIDING

MANUAL DE INSTRUÇÕES

BRUGSANIVSNINGER

INSTRUKTIONSBOK

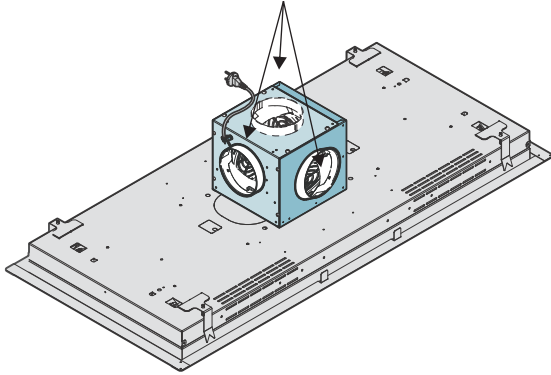
OHJEKIRJA

BRUKSANVISNING

# BLOWER LOCATION

## OPTION 1: Blower installed directly on hood

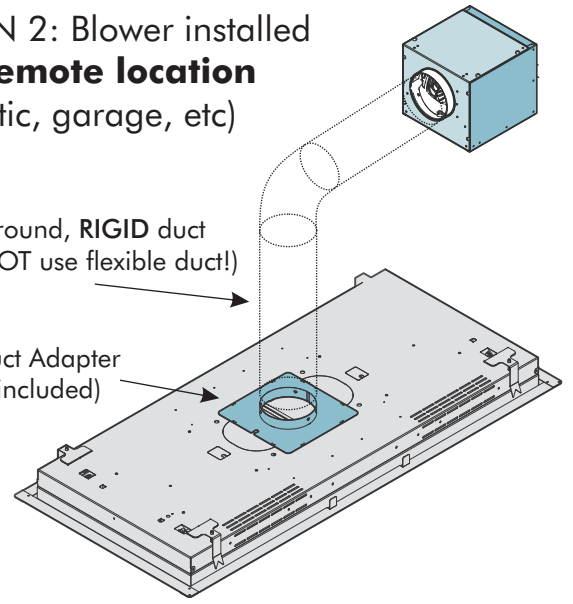
Blower chamber may be installed with opening facing any direction



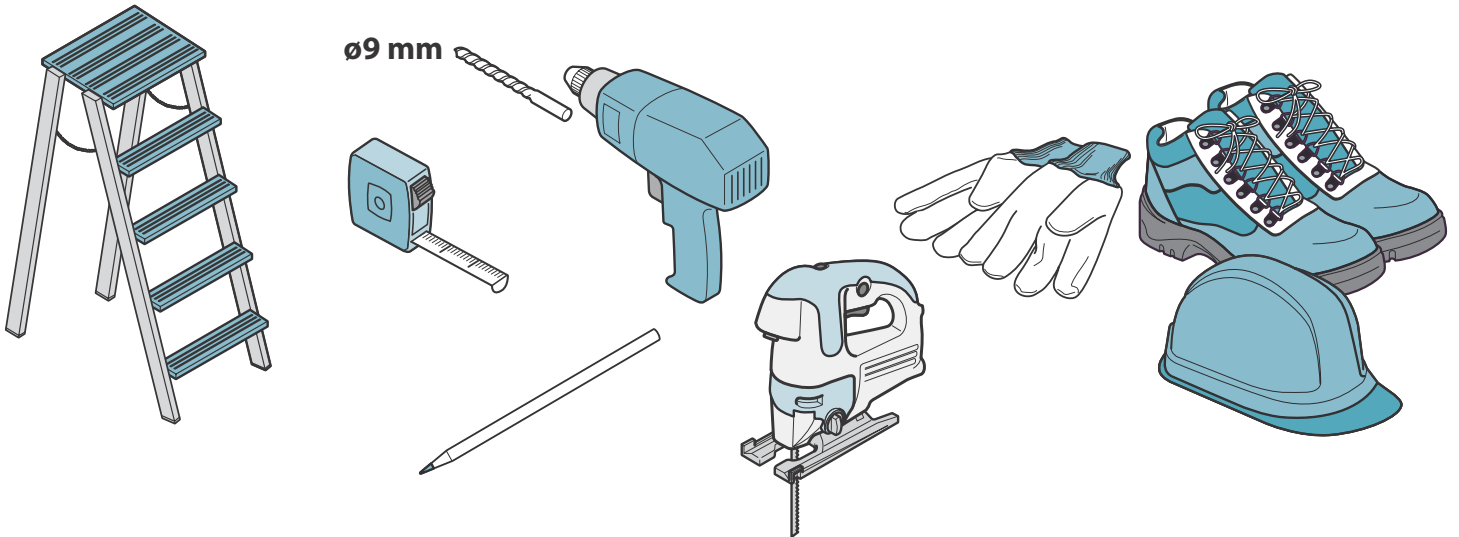
## OPTION 2: Blower installed in remote location (attic, garage, etc)

6" round, RIGID duct (do NOT use flexible duct!)

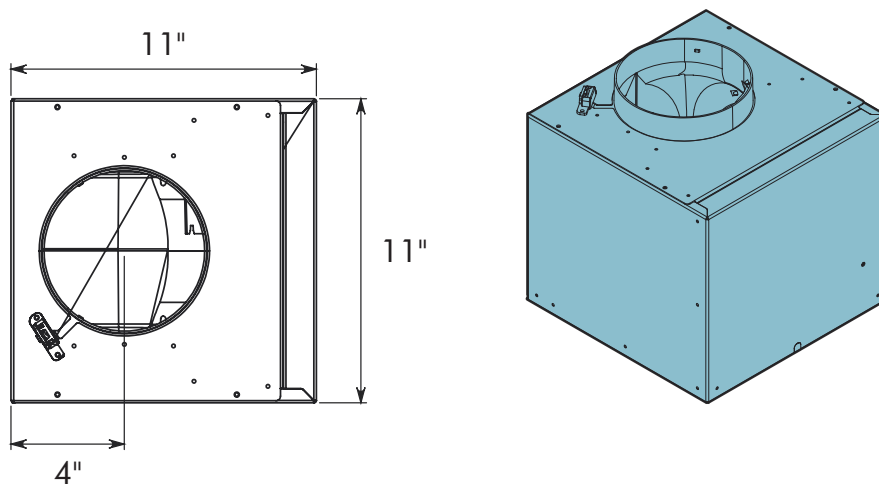
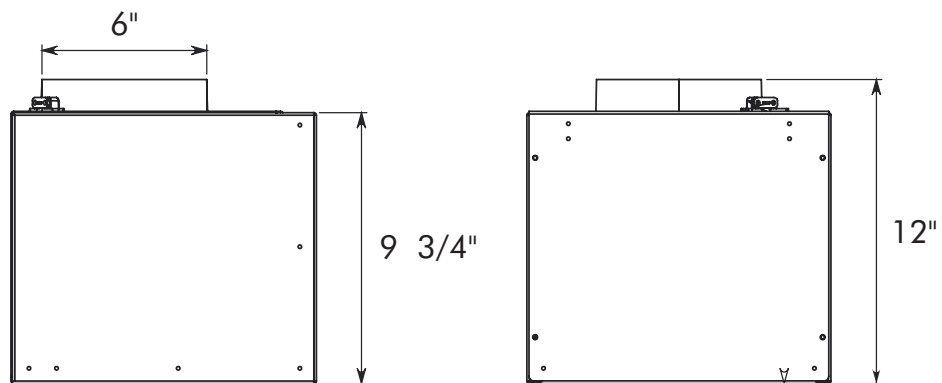
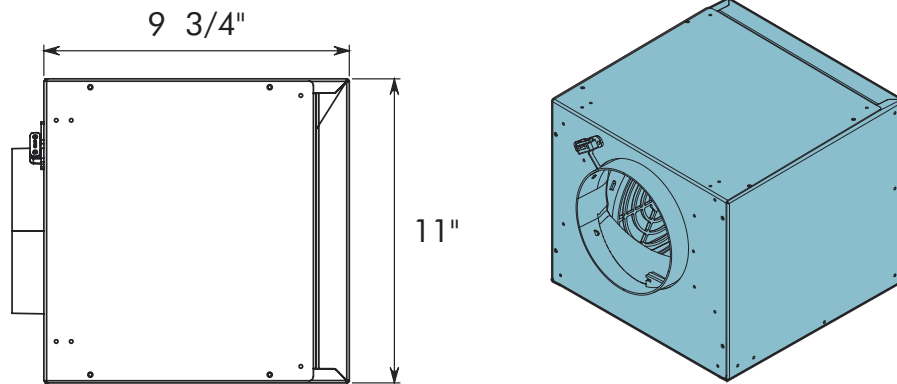
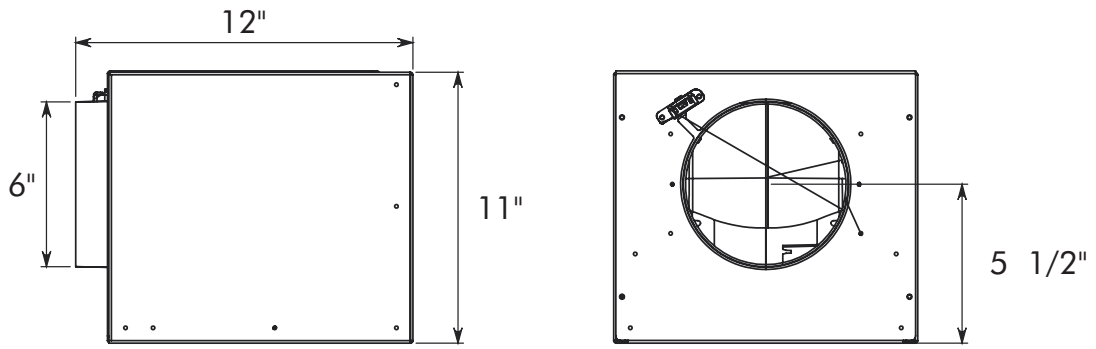
Duct Adapter (included)



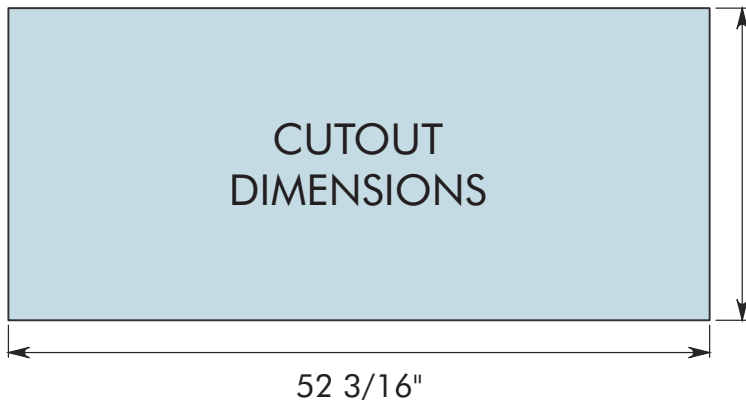
# TOOLS NEEDED



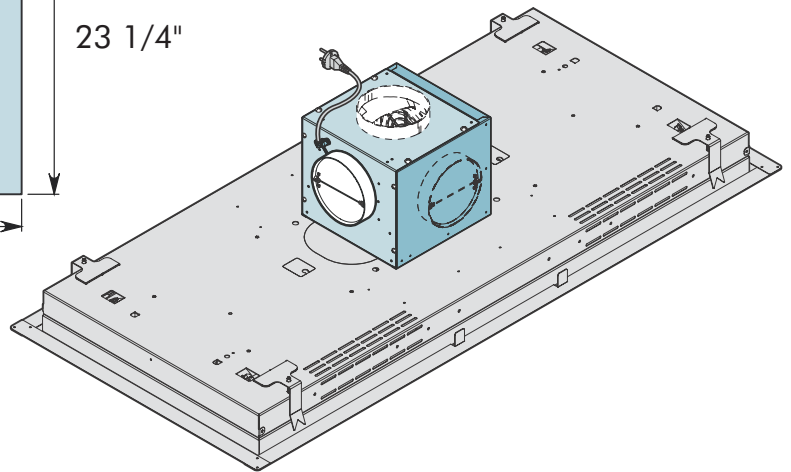
# BLOWER BOX DIMENSIONS



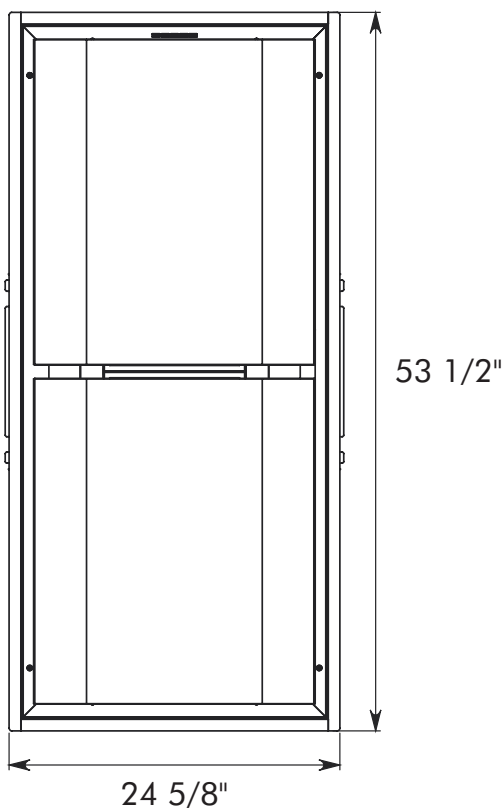
# DIMENSIONS IF BLOWER IS MOUNTED ON HOOD



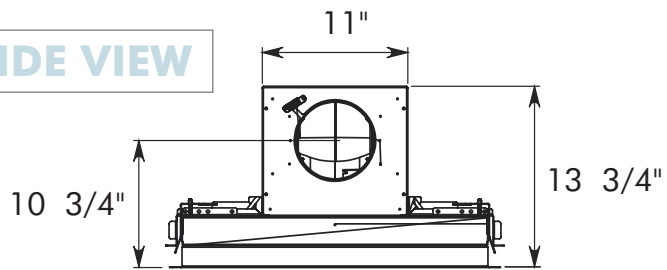
3D OVERVIEW



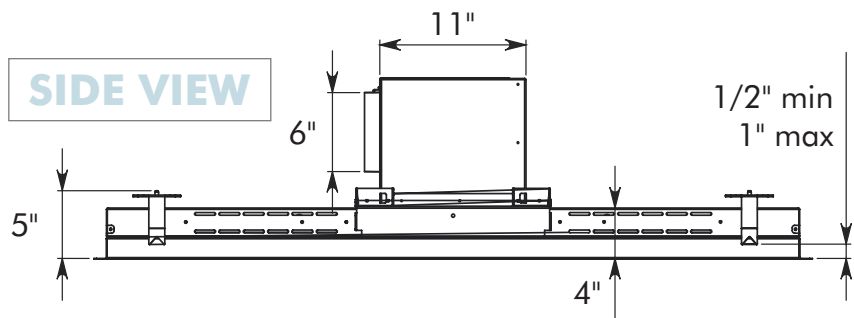
BOTTOM VIEW



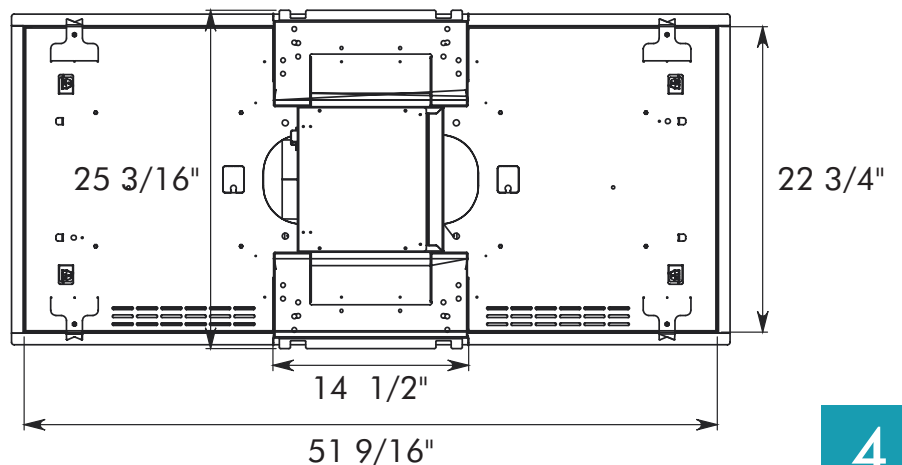
SIDE VIEW



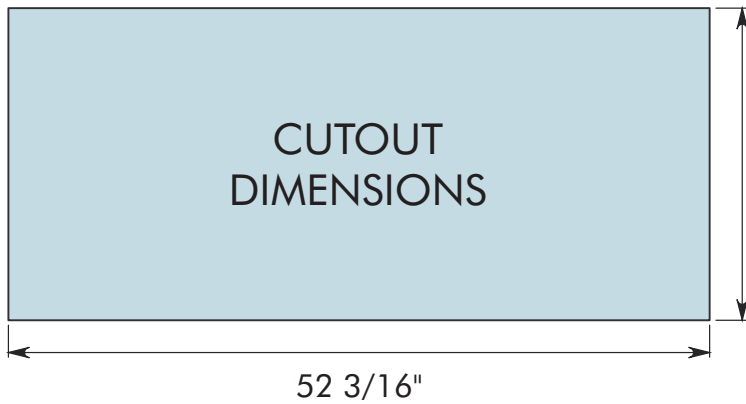
SIDE VIEW



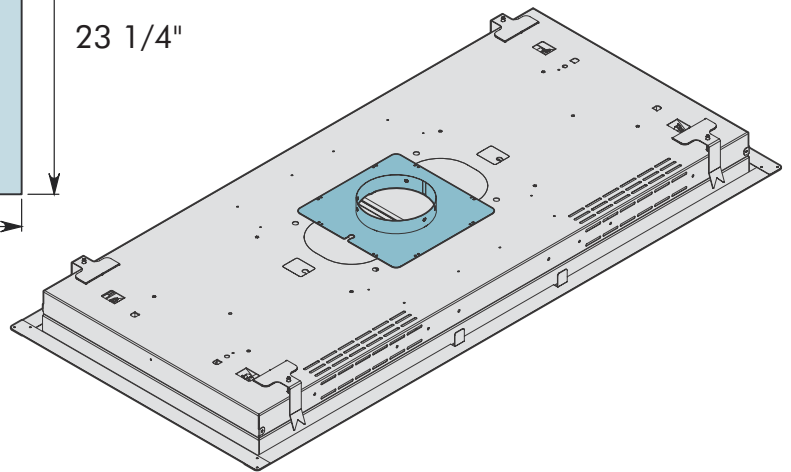
TOP VIEW



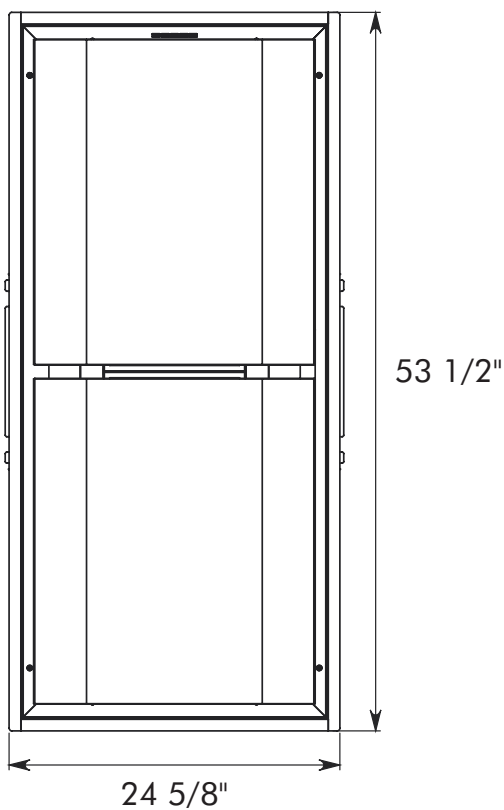
# DIMENSIONS IF BLOWER IS MOUNTED REMOTELY (ATTIC/GARAGE)



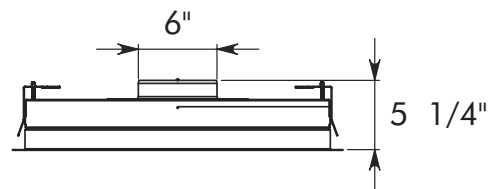
3D OVERVIEW



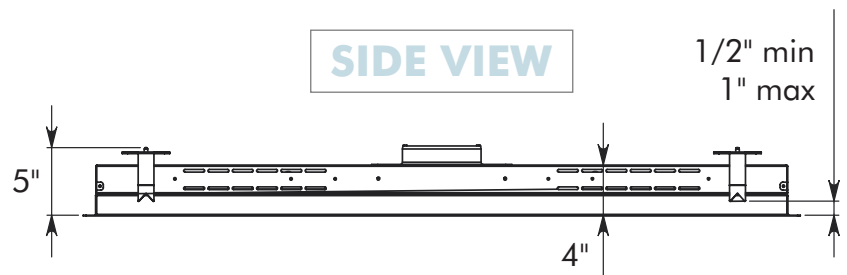
BOTTOM VIEW



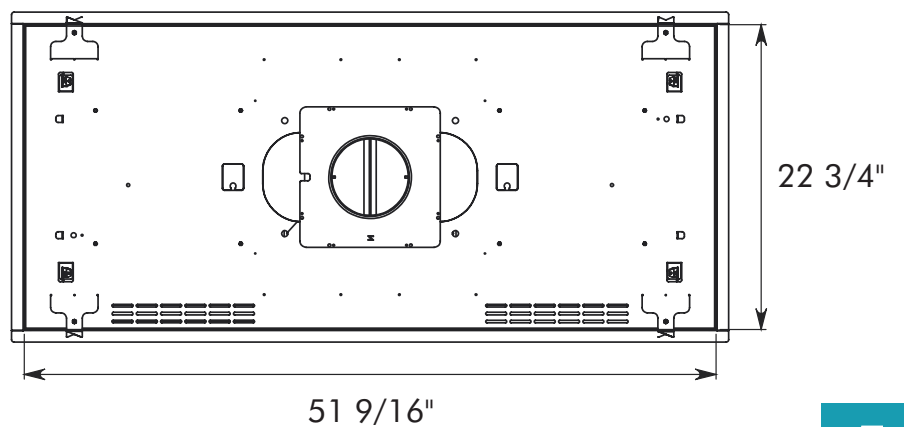
SIDE VIEW



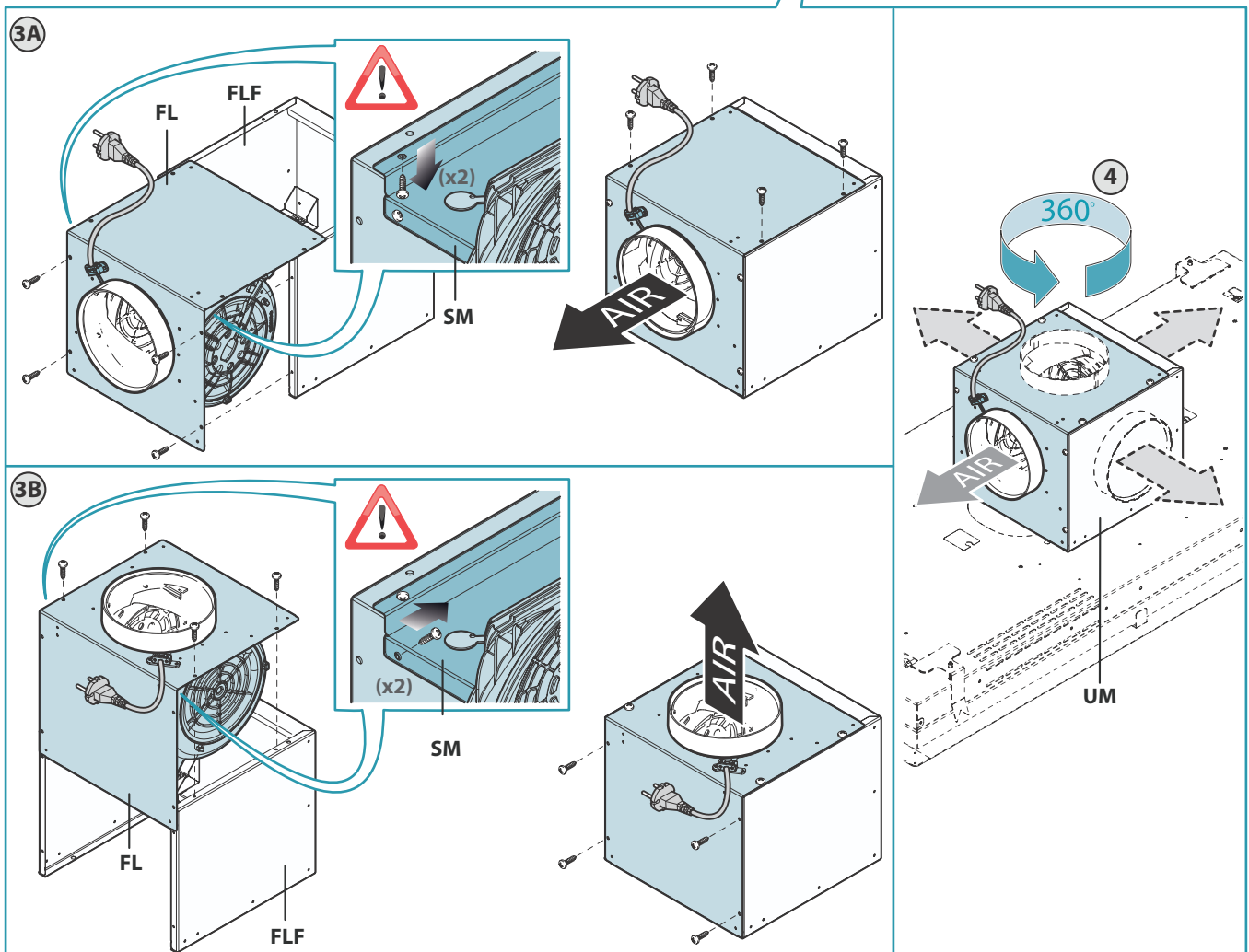
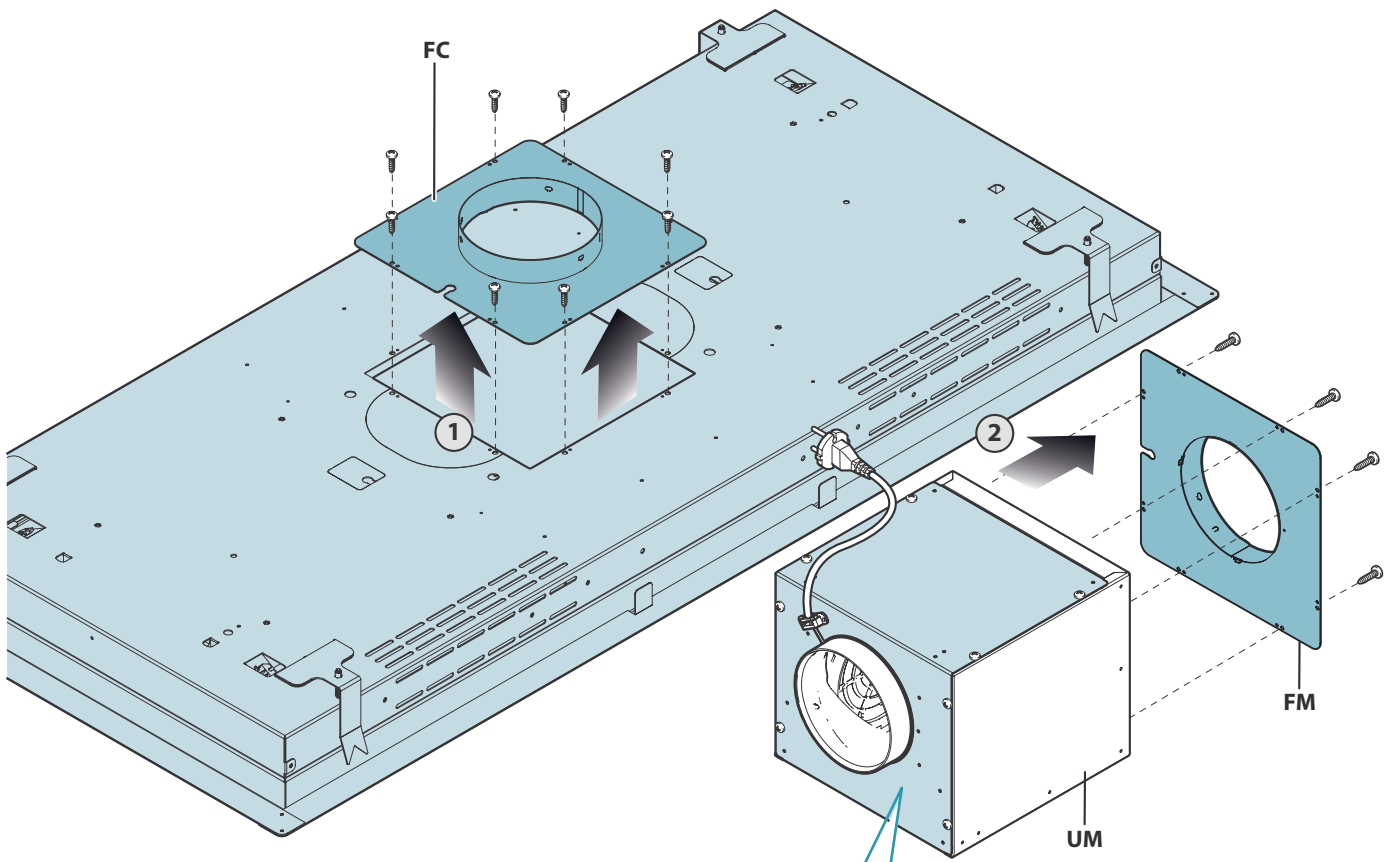
SIDE VIEW



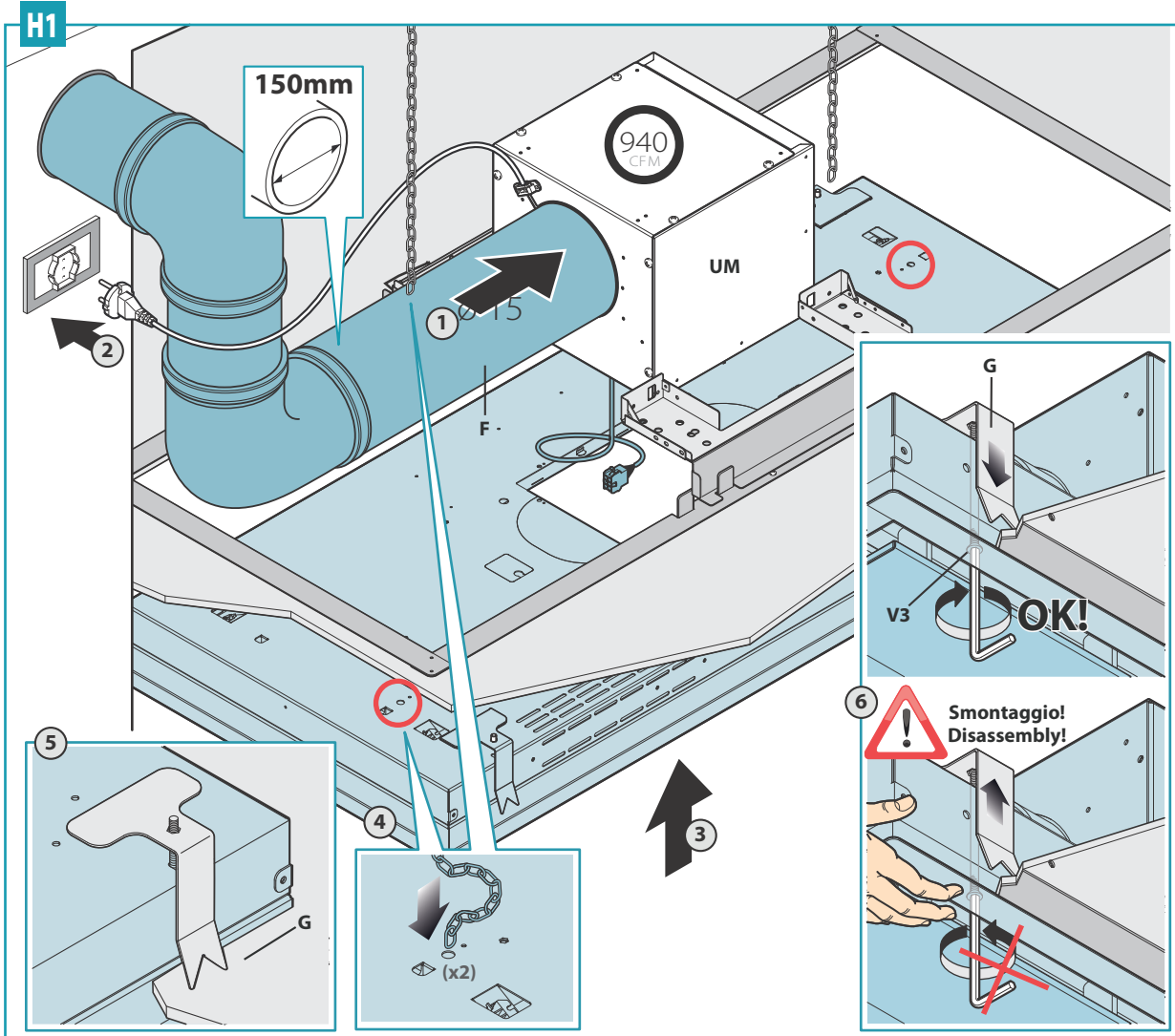
TOP VIEW



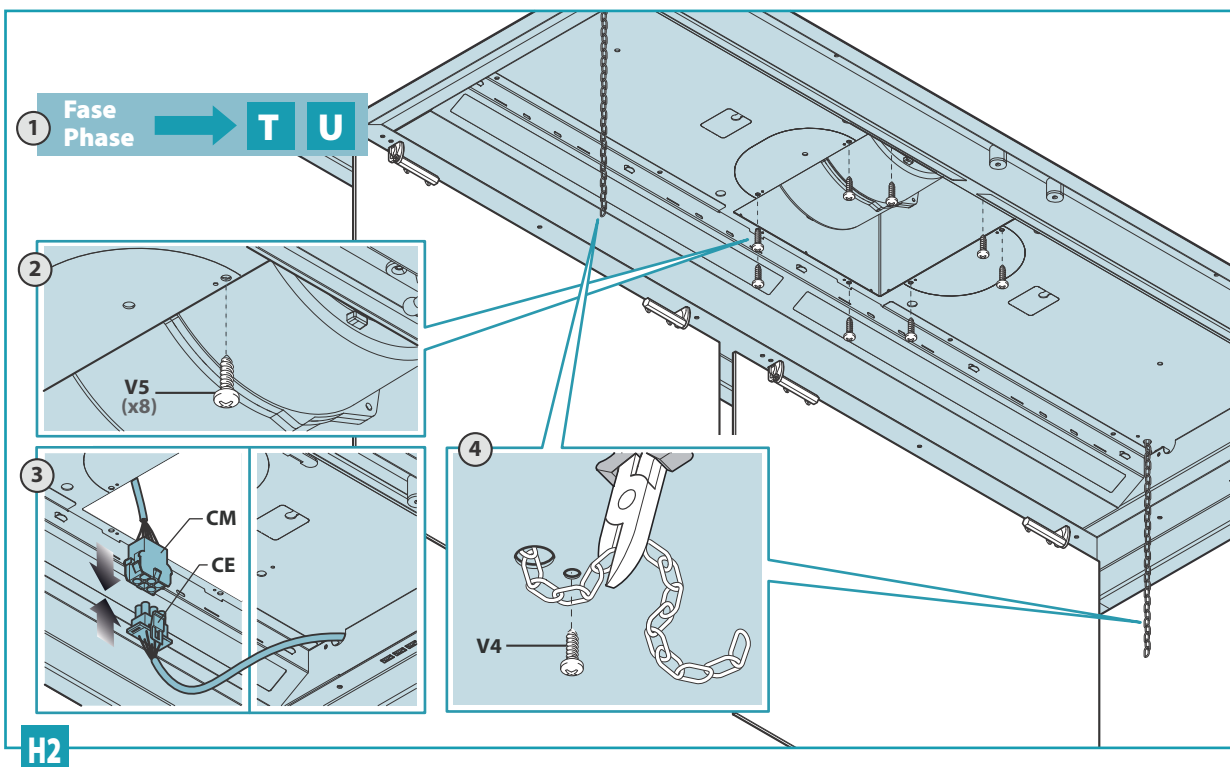
# INSTALLATION - BLOWER ON HOOD



# INSTALLATION - BLOWER ON HOOD

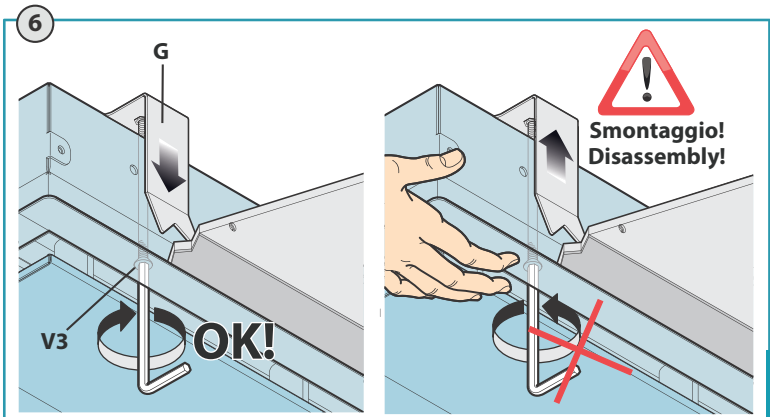
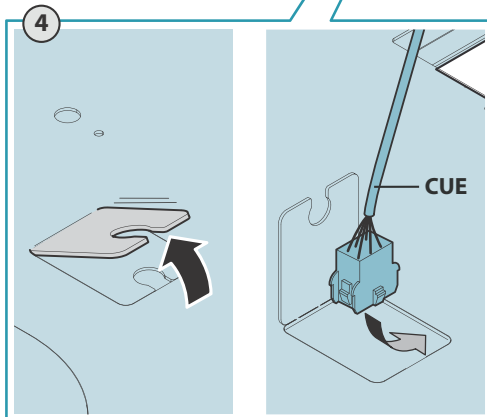
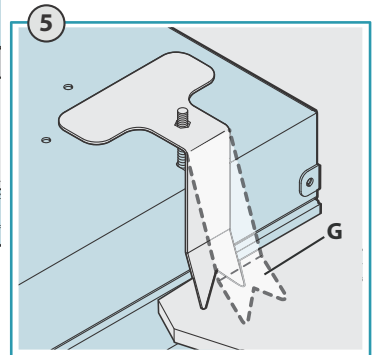
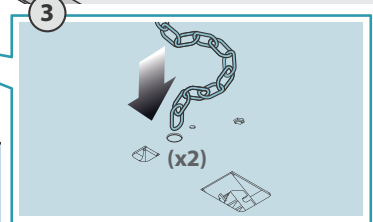
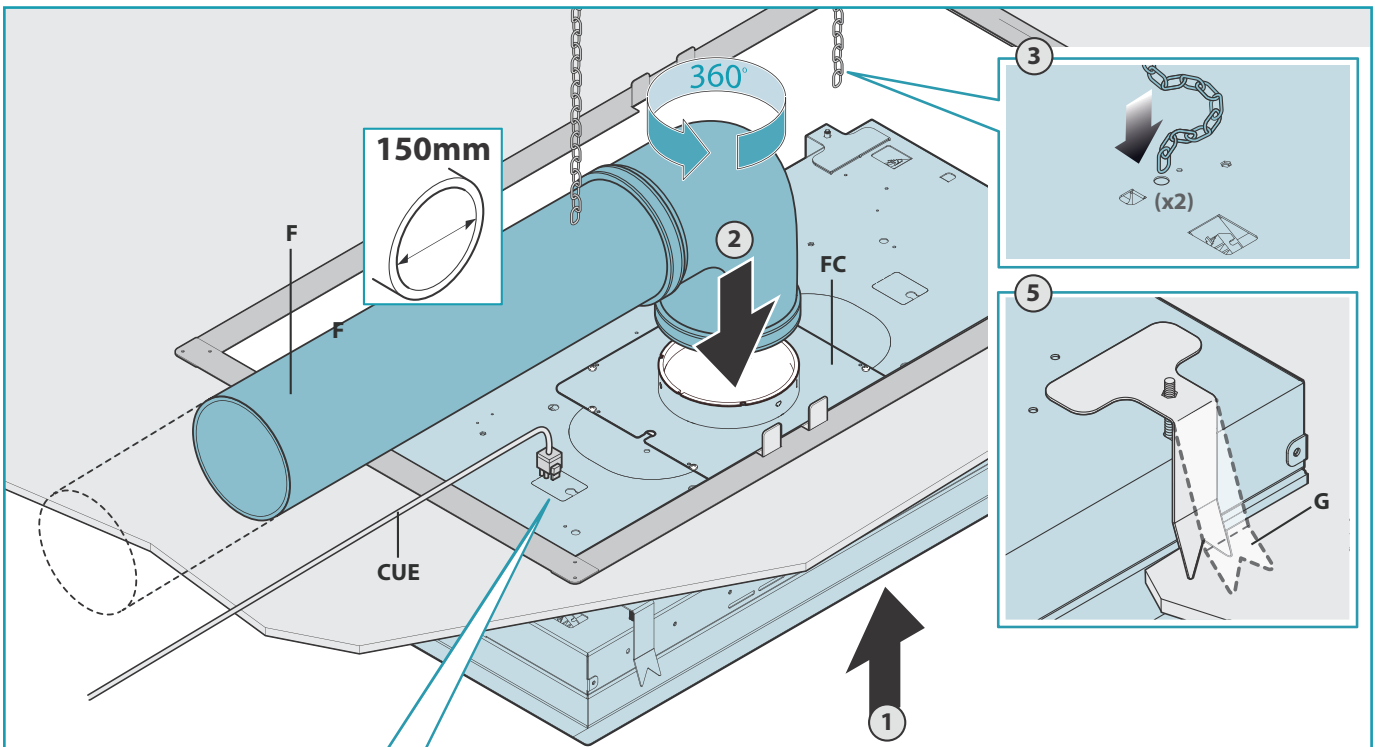
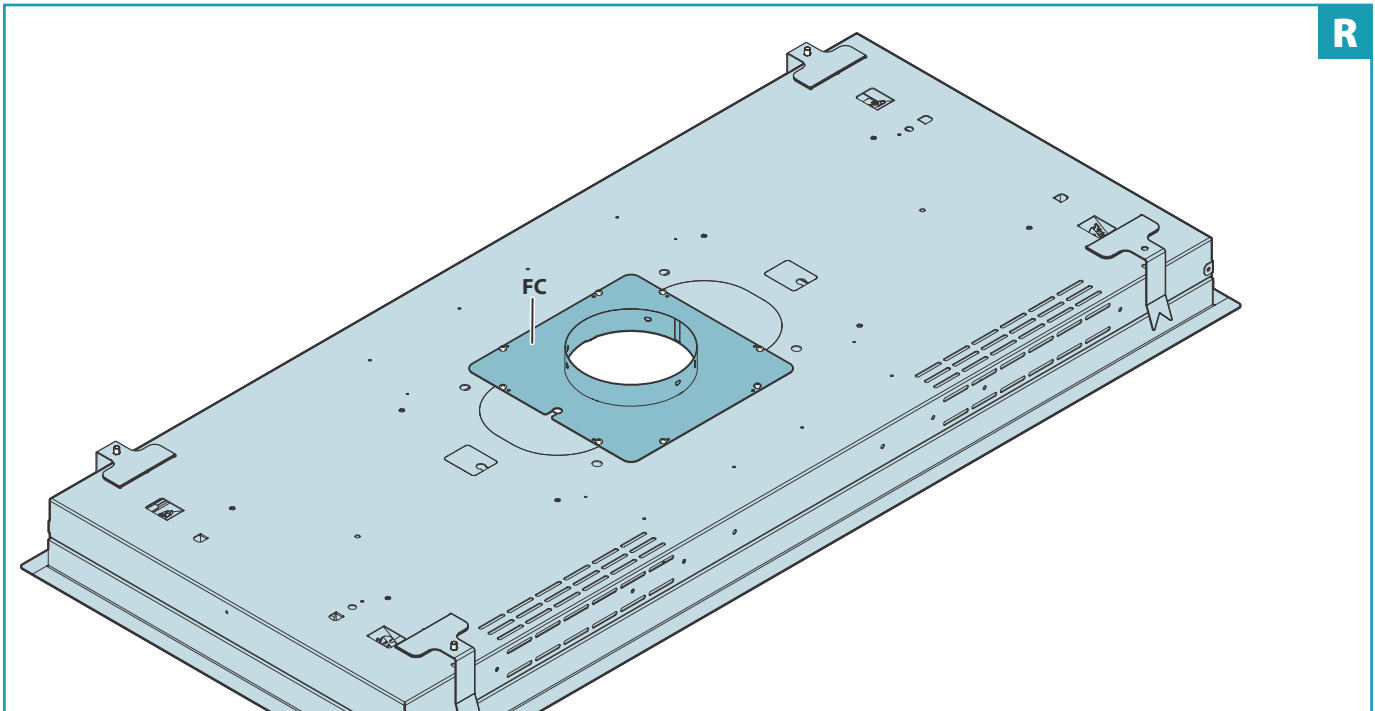


During installation, chains or cables may be used to TEMPORARILY support the hood.  
Permanent installation requires secure attachment to load-bearing elements (joists/frame/soffit box) with screws or bolts.



# INSTALLATION - REMOTE BLOWER

R



S1

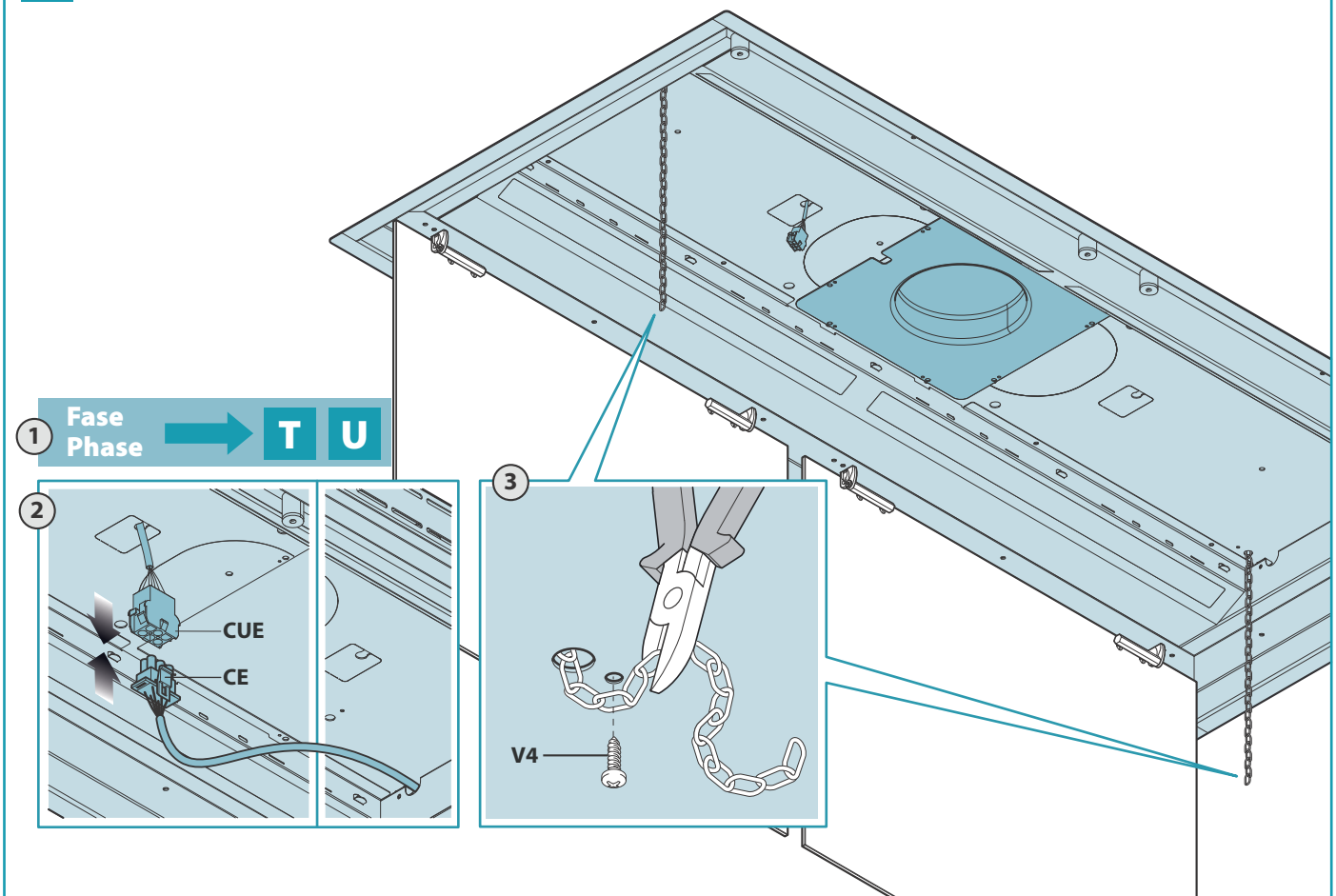
8



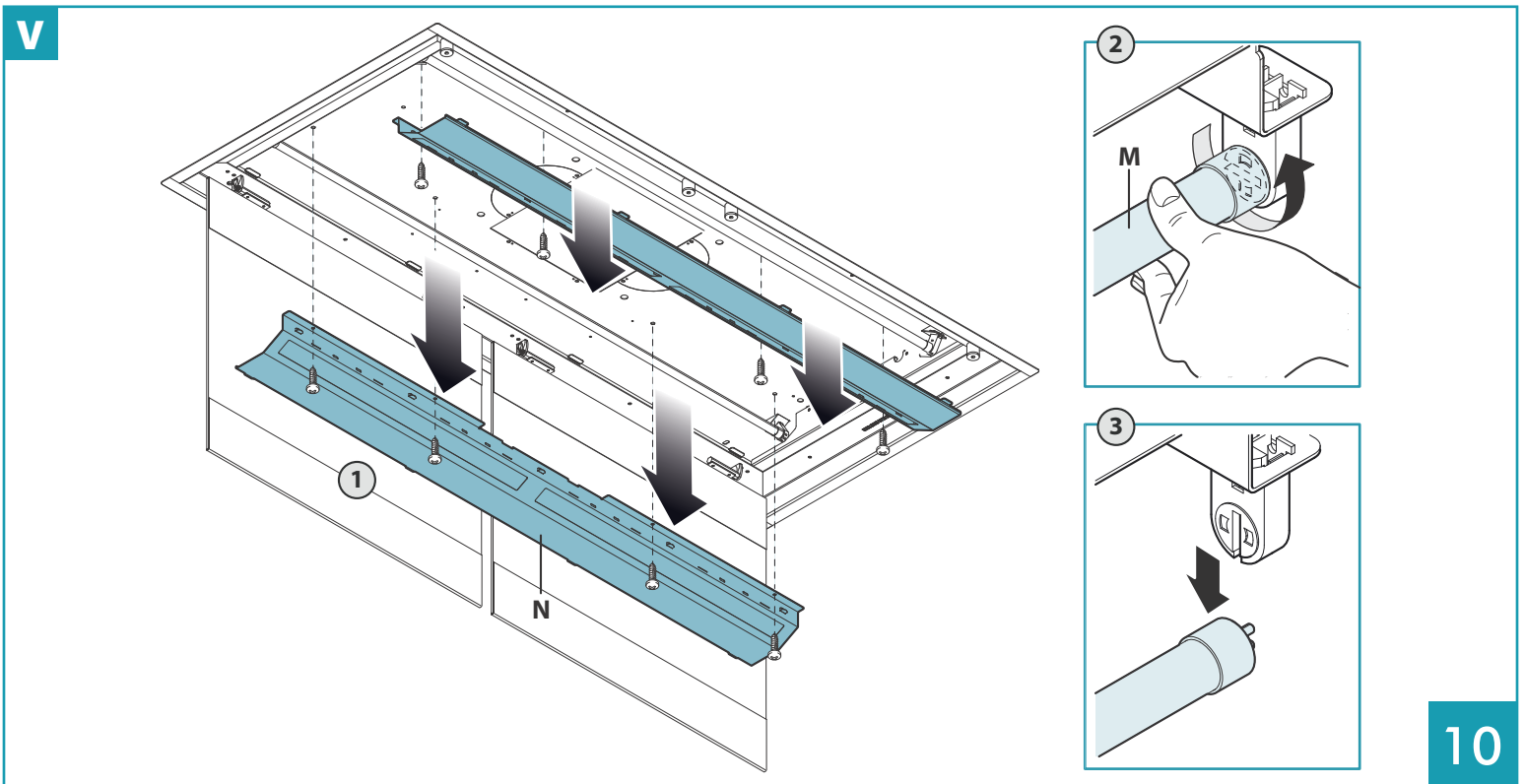
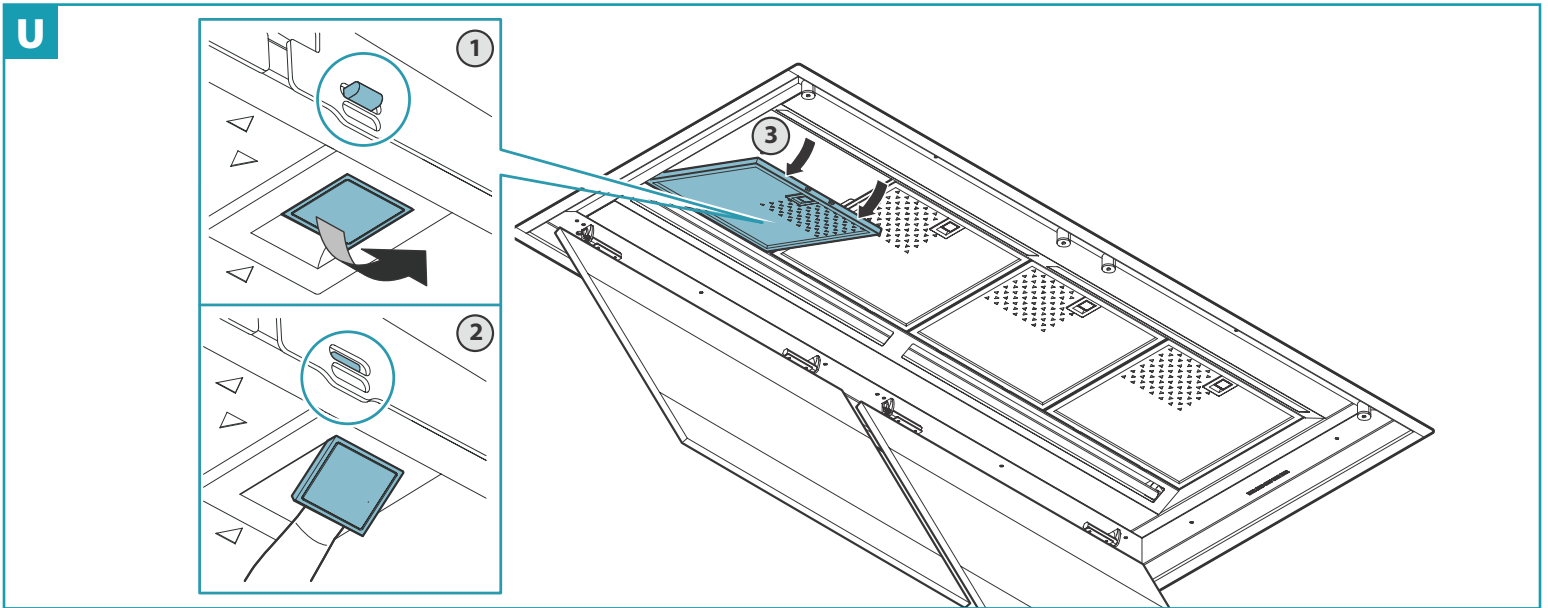
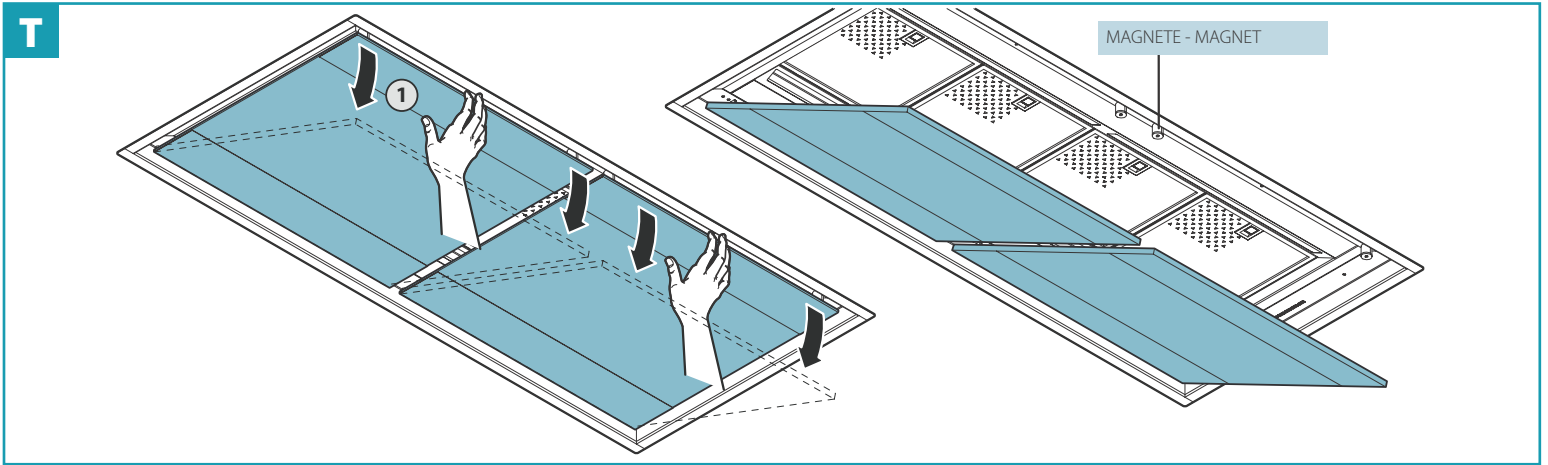
# INSTALLATION - REMOTE BLOWER

During installation, chains or cables may be used to TEMPORARILY support the hood. Permanent installation requires secure attachment to load-bearing elements (joists, wooden frame, or soffit box) using screws or bolts.

S2



# FILTER & LIGHT BULB REMOVAL/REPLACEMENT



## SAFETY INSTRUCTIONS AND WARNINGS

### INSTALLATION WARNINGS

#### TECHNICAL SAFETY



Installation operations are to be carried out by skilled and qualified installers in accordance with the instructions in this booklet and in compliance with the regulations in force.

- Before installing the hood, check the integrity and function of each part. Should anomalies be noted, do not proceed with installation and contact the Dealer.
- Do NOT install the hood if an aesthetic defect has been detected. Put it back into its original package and contact the dealer. No claim can be made for aesthetic defects once the hood has been installed.
- During installation, always use personal protective equipment (e.g. accident-prevention shoes) and adopt prudent and proper conduct.
- The components of the fixing kit (supplied with the hood) required to fix the safety chains are only to be used on masonry walls: should it be necessary to use them on walls of different material, assess other fixing systems, keeping the wall's strength and the weight of the hood in mind (indicated in the technical specifications inserted in the first part of this booklet).
- Keep in mind that installations with different types of fixing systems from those supplied, or which are not compliant, can cause electrical and mechanical seal danger.
- Do not modify the electrical, mechanical and functional structure of the equipment.
- Do not install the hood outdoors and do not expose it to atmospheric agents (rain, wind, etc.)
- After the stainless steel hood has been installed, it will need to be cleaned to remove any residues from the protection adhesive as well as any grease and oil stains which, if not removed, can cause irreversible damage to the hood surface. To do so the manufacturer recommends using the supplied moist wipes which are also available sold separately

#### ELECTRICAL SAFETY



The electrical system to which the hood is to be connected must be according to standard and compulsorily supplied with earthed connection in compliance with safety regulations in the country of use. It must also comply with European standards regarding radio antistatic properties.

- Before installing the hood, check that the electrical mains power supply corresponds with what is reported on the identification plate located inside the hood.
- The socket used to connect the installed equipment to the electrical power supply must be within reach: if this is not possible, install a mains switch in an accessible position in order to disconnect the hood when required.
- Any changes to the electrical system required to install the hood must be carried out by a qualified electrician.
- It is dangerous to change, or try to change, the features of this equipment. Do not try to solve the problem yourself in the event of equipment malfunction, but contact the Dealer or an authorised Servicing Department for repairs.
- When installing the hood, disconnect the equipment by removing the plug or switching of the main switch.

#### FUMES DISCHARGE SAFETY

- Do not connect the equipment to discharge pipes of fumes produced from combustion (for example boilers, irreplaceables, etc.)
- Before installing the hood, ensure that all standards in force regarding discharge of air out of the room have been complied with.

### USER WARNINGS

#### GENERAL WARNINGS




These warnings have been drawn up for your personal safety and those of others. You are therefore kindly asked to read the booklet carefully in its entirety before installing and using the equipment or carrying out cleaning operations.

- The Manufacturer declines all responsibility for any damage caused directly, or indirectly, to persons, things and pets as a consequence of failing to comply with the safety warnings indicated in this booklet.
- It is imperative that this instructions booklet is kept together with the equipment for any future consultation. If the equipment is sold or transferred to another person, make sure that the booklet is also supplied so that the new user can be made aware of the hood's operation and relative warnings.
- Installation operations are to be carried out by a skilled and qualified installer in accordance with the instructions in this booklet and in compliance with the regulations in force.
- DO NOT use the hood if the power supply cable or other components are damaged. Disconnect the hood from the electrical power supply and contact the Dealer or an authorised Servicing Department for repairs. Insist on original spare parts. Do not personally try to carry out repairs or replacements. Interventions carried out by incompetent and unauthorised persons can cause damage, even serious, to things and/or persons not covered by the Manufacturer's warranty.
- Do not modify the electrical, mechanical and functional structure of the equipment. Any changes to the electrical system required to install the hood must be carried out by a qualified electrician.

### INTENDED USE

- The equipment is solely intended to be used to extract fumes generated from cooking food in non-professional domestic kitchens : any other use is improper, can cause damage to persons, things and pets and exempts the Manufacturer from any liability.
- The equipment can be used by children above the age of 8 and by persons with reduced physical, sensory and mental abilities, or with no experience or knowledge, as long as they do so under supervision or after having received relative instructions regarding safe use of the equipment and understanding of the dangers connected to it. Children are not to play with the equipment. Cleaning and maintenance operations intended for the user must not be carried out by children without supervision.

### USE AND CLEANING WARNINGS

- Before cleaning or carrying out maintenance operations, disconnect the equipment by removing the plug or switching of the main switch.
  - Do not use the hood with wet hands or bare feet.
  - Always check that all electrical parts (lights, extractor fan) are of when the equipment is not used.
  - Check the deep-fryers during use: Overheated oil can catch fire.
  - Do not light naked flames under the hood.
  - Do not lambé foods under the hood.
  - Never use the hood without the metal anti-grease filters: in this case, grease and dirt will deposit in the equipment and compromise its operation.
  - Accessible parts of the hood can be hot if used together with cooking appliances.
  - Do not carry out any cleaning operations when parts of the hood are still hot.
  - There can be a risk of fire if cleaning is not carried out according to the methods and products indicated in this booklet.
  - Disconnect the main switch when the equipment is not used for long periods of time.
-  If other appliances that use gas or other fuels are being used at the same time (boiler, stove, irreplaceables, etc.), make sure the room where the fumes are extracted is well-ventilated, in compliance with the current regulations.

### WARNINGS IN CASE OF MALFUNCTION

- DO NOT use the hood if the power supply cable or other components are damaged. Disconnect the hood from the electrical power supply and contact the Dealer or an authorised Servicing Department for repairs. Insist on original spare parts. Do not personally try to carry out repairs or replacements. Interventions carried out by incompetent and unauthorised persons can cause damage, even serious, to things and/or persons not covered by the Manufacturer's warranty.

The Manufacturer reserves the right to make changes to the equipment at any time and without prior notice. Printing, translation and reproduction, even partial, of this manual are bound by the Manufacturer's authorisation. Technical information, graphic representations and specifications in this manual are for information purposes and cannot be divulged. This manual is written in Italian. The Manufacturer is not responsible for any transcription or translation errors.

## INSTALLATION

(only intended for personnel qualified to install the hood)



**Before installing the hood, carefully read Chap. "Safety instructions and warnings" on page 27.**

### TECHNICAL FEATURES

The technical specifications are reported on the identification plate located inside the hood.

### POSITIONING

The recommended distance between the highest part of the cooker and the lowest part of the hood is approximately 110 cm (43.3"). In certain cases, this distance can be increased up to a maximum of approximately 150 cm (59"), with a slight decrease in the efficiency of the device. The minimum installation distance must not be less than 65 cm (25.5"), as provided by the standard, also according to an interpretation of standard EN60335-2-31 dated 11-07-2002 by TC61 (sub-clause 7.12.1 meeting 15 agenda item 10.11). Should the instructions for the gas cooker specify a greater distance, take this into consideration. Do not install the hood outdoors and do not expose it to atmospheric agents (rain, wind, etc.)

### ELECTRICAL CONNECTION

(only intended for personnel qualified to install the hood)



Disconnect the equipment from electrical mains power supply before carrying out any operations on the hood. Make sure that the wires inside the hood are not disconnected or cut. Should this occur, contact your nearest Servicing Department. Refer to qualified personnel for electrical connections. Connection must be carried out in compliance with the provisions of law in force.

Before connecting the equipment to the electrical mains power supply, check that:

- voltage supply corresponds with what is reported on the identification plate located inside the hood;
- the electrical system is compliant and can withstand the load of the equipment (refer to the technical specifications on the identification plate located inside the hood);
- once connected, the plug and cable do not come into contact with hot parts having temperatures that exceed 70°C
- the power supply system is effectively and properly connected to earth in compliance with regulations in force.

the socket outlet to connect the installed equipment is within reach.

Some types of equipment can be equipped with a cable without a plug; in this case, the type of plug to use is a "standardised" one, keeping in mind that the yellow-green wire must be used for earthing, the blue wire must be used for neutral, and the brown wire must be used for the phase.

The power supply cable must be assembled with a plug suitable for the load and connected to an adequate safety plug.

If the fixed equipment is not provided with a power supply cable and plug, or any other device that ensures disconnection from the electrical mains, with an opening gap of the contacts that enables total disconnection in overvoltage category III conditions, said disconnection devices must be provided in the mains power supply in compliance with installation regulations.

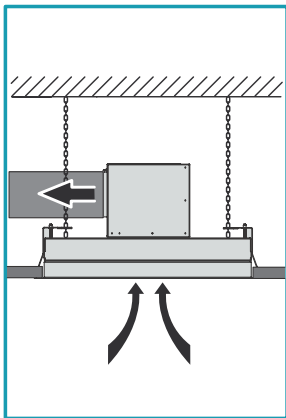
The yellow/green earth cable must not be cut off by the switch.

The Manufacturer declines all responsibility for failure to comply with the safety regulations.

## FUMES DISCHARGE

(only intended for personnel qualified to assemble the hood)

### EXTERNAL EXHAUST HOOD VERSION (SUCTION)



In this version, the kitchen fumes and vapours are conveyed outside through an exhaust pipe. The air outlet fitting of the motor must be connected to the pipe that conducts the fumes and vapours to an external outlet.

Do not connect the equipment to discharge pipes of fumes produced from combustion (for example boilers, irreplaceables, etc) and you are to comply with the regulations in force regarding external air discharge.

The fumes outlet pipe must have:

- a diameter, or diameters, not less than that of the hood fitting
- a slight slope downwards (drop) in the horizontal sections to prevent any formation of condensation from flowing back to the hood;
- the minimum required number of bends;
- minimum required length (long pipes with various bends can reduce suction performance of the hood and trigger vibrations of the check valve).

If the fumes outlet pipe passes through cold environments such as attics, etc., it is possible that water condensation forms due to sudden changes in temperature. In this case, you are required to insulate the pipes.

The hood is supplied with a check valve whose function is to prevent any external air exchange when the hood is not operating: for further information, refer to the assembly instructions chapter on page 28.

When the kitchen hood is used simultaneously with other appliances that use gas or other fuels, the room must have sufficient ventilation, in accordance with regulations in force.

Deviation for Germany: when the kitchen hood is used at the same time as appliances that are powered by energy other than electricity, the negative pressure in the room must not exceed 4 Pa ( $4 \times 10^{-5}$  bar).

### HOOD VERSION WITH INTERNAL RECIRCULATION (FILTERING)

Hood not suitable for active carbon filter assembly, therefore, the internal recirculation version cannot be installed.

## ASSEMBLY INSTRUCTIONS (only intended for personnel qualified to assemble the hood)



Before installing the hood, make sure the false ceiling has been duly reinforced to safely support the device: the weight of the hood, in various assembly configurations, is reported in the technical specifications inserted in the first part of this booklet.

### Phase A page 8

- Make a hole in the false ceiling as indicated in Fig. 2 (for drilling dimensions, refer to the technical specifications inserted in the first part of this booklet). Should the plasterboard have reinforced proles, keep a minimum distance of 60mm from the drilling perimeter (Fig. 1).

### Phase B page 8

- Check that the supplied laps (H) of the protection template (G) are bent on the opposite side to the one with the double-sided adhesive tape. If not, bend them with a suitable tool (e.g. grippers) (Fig. 1).
- Remove the film from the doubled-sided adhesive tape already applied on the protection template (G) (Fig. 2) and insert it into the hole made on the false ceiling, keeping it tilted so that it passes easily (Fig. 3). Complete the operation by fixing the protection template (G) to the plasterboard false ceiling (Fig. 4).

### Phase C page 9

- Measure the distance of the safety holes on the hood (X and Y - Fig. 1). According to the measurements obtained, mark two drilling holes on the masonry ceiling (X and Y - Fig. 2). Drill a  $\varnothing 9$  mm hole in line with the marked points and insert the supplied screw anchors and eyes (Fig. 3).



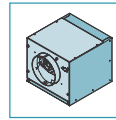
The screw anchors supplied with the hood can only be used on masonry ceilings: should it be necessary to install the hood on ceilings of different material, assess other fixing systems, keeping the wall's strength and the weight of the hood in mind (indicated in the technical specifications inserted in the first part of this booklet).

- Fasten the safety chains to the eyes (Fig. 4); they will then be fastened to the hood as a safety support.

The hood can be installed in various configurations, depending on where the motor unit is placed (motor unit placed on the hood or under-roof unit (URS) or outdoor (URE) remote motor).

Follow the instructions according to the desired installation.

## MOTOR UNIT PLACED ON THE HOOD



### MOTOR UNIT (UM) PLACED ON THE HOOD

The motor unit (UM) is connected directly to the hood. The motor used in the motor unit (UM) is, by default, equipped with a check valve already installed.

### Phase D page 10

Remove the lange (FC) assembled on the hood (Fig. 1) and the lange (FM) assembled on the motor unit (UM) (Fig. 2).

Define the air outlet direction by rotating the lange (FL) of the motor unit (UM) (Fig. 3A - 3B).

To enable any maintenance operations, once the position of the lange (FL) has been determined, before securing it to the component (FLF), remove the two fastening screws from the element (SM), as indicated in the figures 3A - 3B.

The motor unit (UM) can also be installed on the hood in various positions in order to have the desired air outlet direction (Fig. 4).

### Phase E page 11

Check the correct position between the elements (L) and (M), which form part of the motor unit (UM) support brackets (Fig. 1).

If required, position them at the height indicated in (Fig. 2) and secure them with 8 screws (V1). Secure the support brackets (L+M) to the motor unit (UM) using the 4 screws (V2), taking the desired air outlet direction into consideration (Fig. 3).

### Phase F page 11

The motor used in the motor unit (UM) is, by default, equipped with a check valve already installed. If required, remove them from the air outlet fitting of the motor.

### Phase G page 11

Place the assembly composed of the motor unit (UM) and its supports (L+M) on the false ceiling (Fig. 1), taking care to centre the assembly by means of the laps (H) of the protection template (G) (Fig. 2).

### Phase H1 page 12

Connect the air outlet fitting of the motor unit (UM) to the pipe (F) set up for external discharge (Fig. 1).

Set up the electric connection to power the hood only after having disconnected the main power supply switch and complied with current regulations (Fig. 2).

Lift the hood towards the false ceiling (Fig. 3) and pass the chains through the safety holes of the hood (Fig. 4).

Insert the hood in the previously reinforced false ceiling: as the hooks (G) open, they provisionally support the hood on the false ceiling (Fig. 5). Tighten all screws (V3) in order to open the hooks (G) and block the hood on the false ceiling (Fig. 6).

### Phase H2 page 12

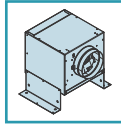
Open the perimeter suction panel (Fig. T) and remove the metal filters (FM). Fasten the motor unit (UM) to the hood body using the 8 screws (V5) (Fig. 2). Connect the motor unit (UM) connector (CM) to the hood connector (CE) (Fig. 3).

Affix the safety chains to the hood using the supplied screws (V4) and cut the excess chain past the screw (Fig. 4).


## REMOTE MOTOR UNIT

The hood can be connected to the under-roof remote motor unit.

In the case of an under-roof motor unit ( URS), it must be placed next to the technical compartment inside the home, protected against atmospheric agents and within reach for any maintenance operations.



In the case of installation with remote motor, you must connect the hood to the electrical system earthing (after having verified its functioning) by means of a suitable cable.

To execute this operation, use the threaded insert set up in the hood structure and identified with a label and symbol . It is recommended that you comply with the current regulations on electrical safety of systems and devices regarding earthing equipment.

Phase **Q** page 16

Remove the flange (FC) assembled on the hood (Fig. **1**).

Check the correct position between the elements (L) and (M), which form part of the support brackets of the conveyor kit (CT) for rectangular pipes (Fig. **2**). If required, position them at the height indicated in (Fig. **3**) and secure them with 8 screws (V1). Secure the support brackets (L+M) to the conveyor kit for rectangular pipes (CT) using the 4 screws (V2), taking the desired air outlet direction into consideration (Fig. **4**).

Phase **P** page 16

Place the assembly composed of the conveyor kit (CT) and its supports (L+M) on the false ceiling (Fig. **1**), taking care to centre the assembly by means of the laps (H) of the protection template (G) (Fig. **2**).

Phase **Q1** page 17

Connect the kit conveyor air outlet fitting for rectangular pipes (TC) to the under-roof (URS) or outdoor (URE) remote unit with a suitable (FR) pipe (Fig. **1**). Lift the hood towards the false ceiling (Fig. **2**) and pass the chains through the safety holes of the hood (Fig. **3**). Lift the knockouts and insert the connector (CUE) from the under-roof (URS) or outdoor (URE) remote unit into the drilled hole (Fig. **4**). Insert the hood in the previously reinforced false ceiling: as the hooks (G) open, they provisionally support the hood on the false ceiling (Fig. **5**). Tighten all screws (V3) in order to open the hooks (G) and lock the hood on the false ceiling (Fig. **6**).

Phase **Q2** page 17

Open the perimeter suction panel (Fig. **I** on page 20) and remove the metal filters (FM) (Fig. **U** on page 20).

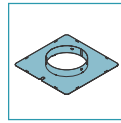
Fasten the kit conveyor (CT) to the hood by means of 8 screws (V5) (Fig. **2**).

Connect the (CUE) connector of the under-roof remote unit to the hood connector (CE) (Fig. **3**).

Fix the safety chains to the hood using the supplied screws (V4) and cut the excess chain (Fig. **4**).



To assemble the under-roof (URS) or outdoor (URE) remote motor unit, refer to the relative instructions booklet.



**Hood and remote unit connection by means of the flange (FC)**

The flange (FC), by means of suitable piping, connects the hood to the under-roof remote motor unit.

Phase **R** page 18

Should you wish to use a check valve, assemble it on the flange (FC) (Fig. **1**); lock it to the flange by pushing the laps of the fitting downwards with a screwdriver or grippers (Fig. **2**). If the under-roof (URS) remote motor unit is used, remove the check valve assembled on it (refer to the instructions **F** on page 11).

Phase **S1** page 18

Lift the hood towards the false ceiling (Fig. **1**) and connect the flange (FC) to the under-roof (URS) or outdoor (URE) remote unit with a suitable (F) pipe (Fig. **2**). Pass the chains through the safety holes of the hood (Fig. **3**). Lift the knockouts and insert the connector (CUE) from the under-roof (URS) or outdoor (URE) remote unit into the drilled hole (Fig. **4**). Insert the hood in the previously reinforced false ceiling: as the hooks (G) open, they provisionally support the hood on the false ceiling (Fig. **5**). Tighten all screws (V3) in order to open the hooks (G) and lock the hood on the false ceiling (Fig. **6**).

Phase **S2** page 19

Open the perimeter suction panel (Fig. **I** on page 20) and remove the metal filters (FM) (Fig. **U** on page 20).

Connect the (CUE) connector of the under-roof remote unit to the hood connector (CE) (Fig. **2**).

Fix the safety chains to the hood using the supplied screws (V4) and cut the excess chain (Fig. **3**).



To assemble the under-roof remote motor unit, refer to the relevant instructions.

## OPERATION

### WHEN SHOULD THE HOOD BE SWITCHED ON AND OFF?

Switch on the hood at least one minute before starting to cook: this enhances the airflow to convey fumes and vapours towards the suction surface. After cooking, leave the hood operating until complete extraction of all vapours and odours. If required, for versions with electronic push button control panel, by means of the Timer function, it is possible to set hood auto switch-off after 15 minutes of operation.

### WHICH SPEED IS TO BE SELECTED?

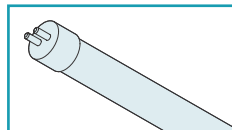
The first speed is a low consumption energy-saving way of keeping the air clean, the second speed is used in normal conditions, and the third speed is used when there are strong odours and vapours.

### WHEN SHOULD THE FILTERS BE WASHED OR REPLACED?

The hood has metal filters (washable), which must be cleaned after approximately 30 hours of use.

For further information, please read the chapter regarding "Maintenance" on page 31.

## LIGHTING



The hood has fluorescent lamp lighting. If the lamp ever needs to be replaced:

- disconnect the appliance from the electrical mains power supply by unplugging it or turning of the main switch;
- open the external suction panel (see instructions **I** on page 20);
- remove the metal filters (refer to the instructions **U** on page 20);

Phase **V** page 20

- remove the covering element (N) (Fig. **1**);
- take out the blown fluorescent tube (M) (Fig. **2** and **3**);
- put in a new fluorescent lamp by performing, in reverse order, the operations described in Fig. **2** and **3**;



The new fluorescent lamp must be identical to the old one!

- reassemble the covering (N) by following, in reverse order, the operations described in Fig. **3**;
- put the metal filters, previously removed, back in place;
- connect the appliance back up to the electrical power mains.




## WARNINGS WHEN USING THE RADIO CONTROL

The Nuvola hood is, by default, equipped with a 4-channel radio control. Place the hood away from sources of electromagnetic waves (e.g. microwave ovens), which could interfere with the radio control and, consequently, with the hood electronics. The maximum operating distance is 5 metres; the distance may vary according to the presence of electromagnetic interference from other devices. Radio control operated at 433.92MHz.


## RADIO CONTROL CODE CHANGE (TO BE USED ONLY IN CASE OF MALFUNCTION DUE TO INTERFERENCE)

A default transmission code is factory installed and stored, which is required to transmit controls from the radio control to the hood. Should electromagnetic interference with other devices cause a radio control malfunction, a new transmission code can be created by following the procedure indicated in points **1** and **2**.



### 1 CREATING A NEW TRANSMISSION CODE

- Disconnect the hood from the electrical mains power supply by unplugging it or by turning of the main switch.
- To access the "code change" mode, simultaneously press the  (light) and  (timer) keys on the radio control until the display starts lashing slowly ( approximately 4/5 seconds).
- If, within 5 seconds from when the display starts lashing the radio control  (minus) key is pressed, a random transmission code is created and saved: saving is confirmed by three brief lashes of the display. The new code cancels and replaces the previous factory default transmission code.
- Reconnect the hood to the electric power supply, making sure that the lights and motor are of.

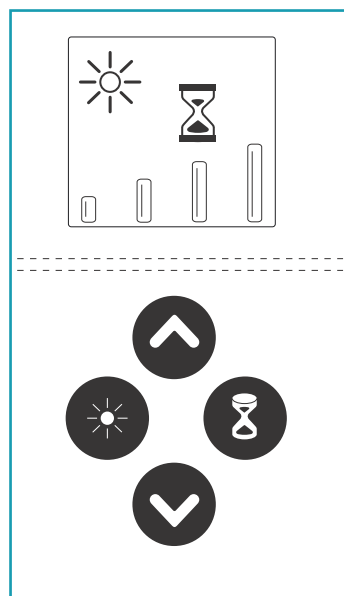
### 2 ASSOCIATING THE RADIO CONTROL WITH THE HOOD












To save the new transmission code created in the hood, press the  (timer) key on the push-button control panel of the hood for 2 seconds and, after the corresponding red LED has lit up on the push-button control panel, press any key on the radio control within 10 seconds.

### RESTORE THE DEFAULT CODE (FACTORY DEFAULT CODE)

- Should it be necessary to restore the default transmission code, disconnect the hood from electric power supply and simultaneously press the  (minus) and  (plus) keys on the radio control for more than 5 seconds. This restores the radio control default transmission code factory setting: three brief lashes on the display are issued as a confirmation that it has been saved.
- Proceed with associating the hood and radio control, as described in point **2**.
- Connect the hood to the electric power supply.

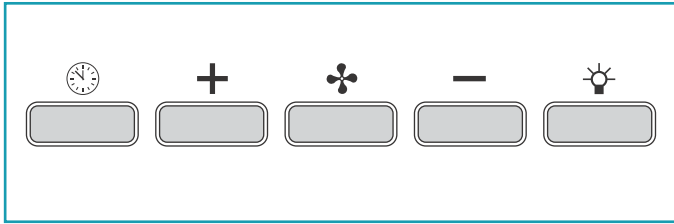
## USING THE RADIO CONTROL









	<p>Light Button</p> <p>ON: light on (the  symbol is displayed on the screen)</p> <p>OFF: light of (the  symbol is not displayed)</p>
	<p>Plus button</p> <p>Press this key with the motor of (no symbol on the display) to switch the hood on with speed 1.</p> <p>If the motor is running, pressing this key <u>increases</u> the motor speed. Speed 1, 2, 3, and 4 are displayed on the screen by their equivalent symbol number . The 4th speed or intensive setting is timed and after about 7 minutes the motor automatically switches to the 3rd speed.</p>
	<p>Minus button</p> <p>Press this key with the motor of (no symbol on the display) to switch the hood motor on with speed 1 (minimum).</p> <p>If the motor is running, pressing this key <u>decreases</u> the motor speed. Speed 1, 2, 3, and 4 are displayed on the screen by their equivalent symbol number .</p> <p>If the motor is running at speed 1, pressing the key switches the hood motor of.</p>
	<p>Timer</p> <p>Pressing the key with the motor active at any speed switches the Timer function on and of: this function determines the <u>auto switch-off</u> of the hood after 15 minutes of operation. Activation of this function is signalled by the symbol  (Hourglass) on the display. With the Timer function active, the hood can still be switched of by the user at any time by reducing the speed with the  key until the motor switches of: the function will be automatically disabled and the symbol  (Hourglass) will disappear from the display.</p>

## USE OF THE ELECTRONIC PUSH BUTTON CONTROL PANEL

If required, the hood can be manually controlled by using the keyboard on the hood structure.



	<p><b>Timer/Filters alarm</b> Pressing the key with the motor active at any speed activates the Timer function: this function determines the auto switch-off of the hood after 15 minutes of operation. Activation of the function is signalled by a RED, flashing light.</p> <p>With the Timer function active, the hood can still be switched off by the user at any time by pressing the key : the function will be automatically disabled and the RED light will turn off. Should the speed be changed with the Timer function active, the latter will be automatically disabled.</p>
	<p><b>Mode button (ON/OFF)</b> Pressing the key switches on (or off) the hood motor: it starts at the previously selected speed prior to switching it off (desired speed function). Should you wish to use a different speed, set it by using the + and - keys.</p>
	<p><b>Button +</b> By pressing the key, the motor speed increases. Speeds 1, 2 and 3 are displayed by the number of LEDs switched on, excluding the light and timer LEDs. The + key in the version with 4 speeds has an intermittent light: the 4th speed or intensity is timed and after approximately 7 minutes the motor automatically switches to 3rd speed.</p>
	<p><b>Button -</b> By pressing the key, the motor speed reduces. Speeds 1, 2 and 3 are displayed by the number of LEDs switched on, excluding the light and timer LEDs.</p>
	<p><b>Light button</b> ON: light on (lit button) OFF: light off</p>

## MAINTENANCE



Before cleaning or carrying out maintenance operations, disconnect the equipment by removing the plug or switching of the main switch.

Regular maintenance guarantees proper operation and good performance over time. Special attention is to be paid to the metal anti-grease filters. In fact, frequent cleaning of the filters and their supports helps ensure that no grease accumulates on the hood, which is dangerous and can cause fires.

## EXTERNAL CLEANING

You are advised to clean the external surfaces of the hood at least once every 15 days to prevent oily substances and grease from sticking to them.



Do not use too much water next to the push button control panel and lighting devices in order to prevent humidity from reaching electronic parts.

You must not use detergents containing abrasive, acid or corrosive substances or abrasive cloths: a direct consequence of not complying with these warnings will result in irreversible deterioration of the hood's surface.

The glass panels can only be cleaned with specific, non-corrosive or non-abrasive detergents using a soft cloth.

The Manufacturer declines all responsibility for failure to comply with these instructions.

### CLEANING THE BRUSHED STAINLESS STEEL HOOD VERSION

To clean the brushed stainless steel hood the Manufacturer recommends using "Magic Steel" wipes. Alternatively, it can be cleaned using a damp cloth, slightly moistened with neutral, liquid detergent or denatured alcohol. Finish of cleaning by rinsing well and drying with soft cloths.

### CLEANING THE WHITE FINISH STEEL HOOD

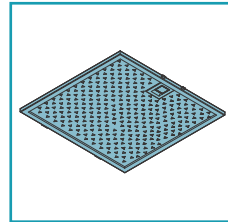
To clean the hood, use water and neutral soap and a soft cloth. Finish of cleaning by rinsing well and drying with soft cloths.

## CLEANING OF INTERNAL PARTS



It is forbidden to clean electrical parts, or parts related to the motor inside the hood, with liquids or solvents. Do not use abrasive products. All these operations are to be carried out after having disconnected the equipment from the electrical mains power supply.

## METAL ANTI-GREASE FILTERS





The metal anti-grease filters are there to contain suspended grease particles: deposited on the filters, these feed on any flames released when cooking, generate unpleasant odours, and compromise the passage of air, thus reducing suction performance of the hood.

For this reason, it is advised to frequently wash the metal filters (at least once a month) leaving them to soak in boiling water and dish washing liquid for 1 hour, taking care not to bend them. Do not use corrosive, acid or alkaline detergents.

Rinse them well and wait for them to be completely dry before reassembling them. Washing in a dishwasher is permitted, however, it may cause the filter material to darken: to reduce the possibility of this problem from happening, use low-temperature washes (55°C max.).



Open the external suction panel to remove the metal anti-grease filters (refer to the instructions  on page 20), then operate the handle (refer to the instructions  on page 20). Carry out operations in reverse order to insert them.



## DISPOSAL AFTER END OF USEFUL LIFE

The crossed-out wheeled bin symbol on the appliance means that the product is WEEE, i.e. "waste electrical and electronic equipment", accordingly it must not be thrown out with unsorted waste (i.e. with "mixed household waste"), but it must be disposed of separately so that it can undergo specific operations for its re-use, or a specific treatment, to remove and safely dispose of any substances that may be harmful to the environment and remove the raw materials that can be recycled. Correct disposal of this product contributes to saving precious resources and avoiding potential negative effects on human health and the environment, which could be caused by inappropriate waste disposal. You are kindly asked to contact your local authorities for further information regarding the designated waste collection points nearest to you. Penalties for improper disposal of such waste can be applied in compliance with national regulations.

### INFORMATION ON DISPOSAL IN EUROPEAN UNION COUNTRIES

The EU WEEE Directive was implemented differently in each country, accordingly, if you wish to dispose of this appliance we suggest contacting your local authorities or dealer to find out what the correct method of disposal is.

### INFORMATION ON DISPOSAL IN NON-EUROPEAN UNION COUNTRIES

The crossed-out wheeled bin symbol is only valid in the European Union: if you wish to dispose of this appliance in other countries, we suggest contacting your local authorities or dealer to find out what the correct method of disposal is.