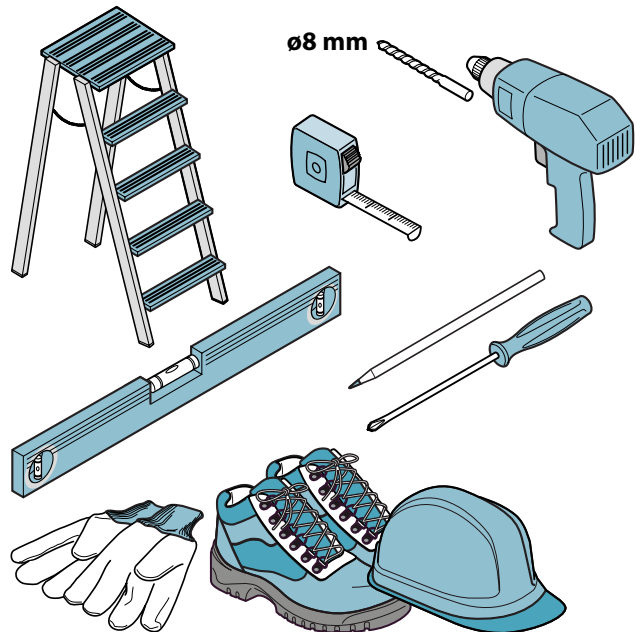
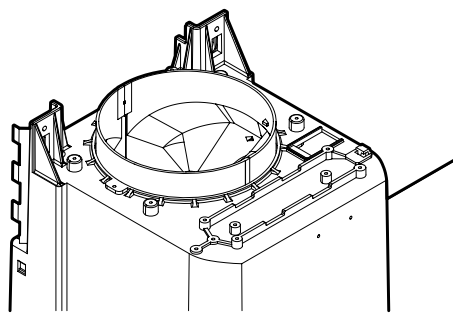
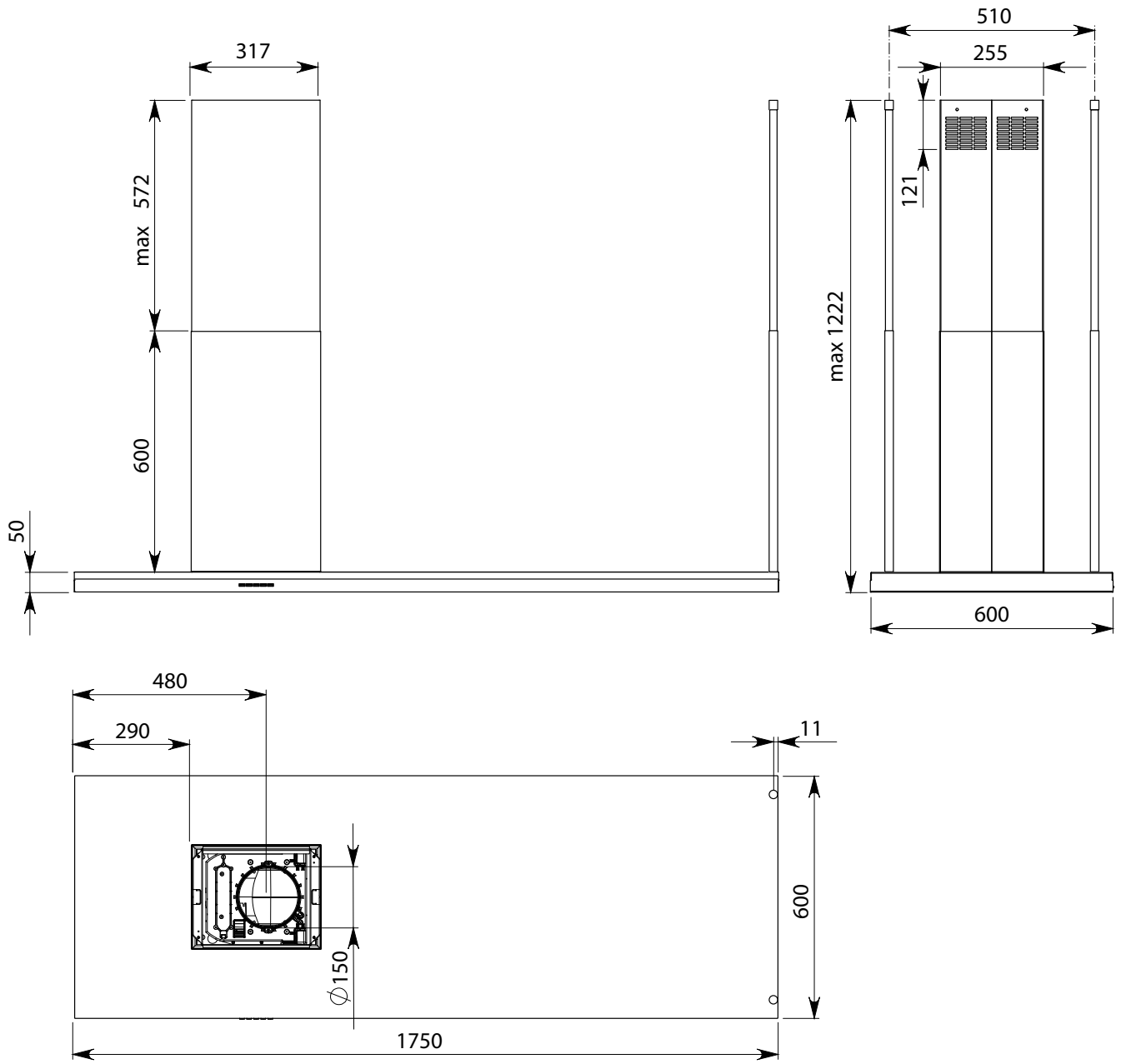


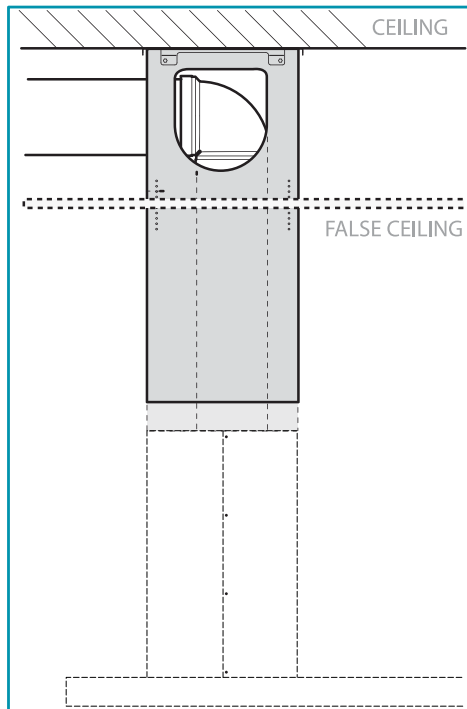
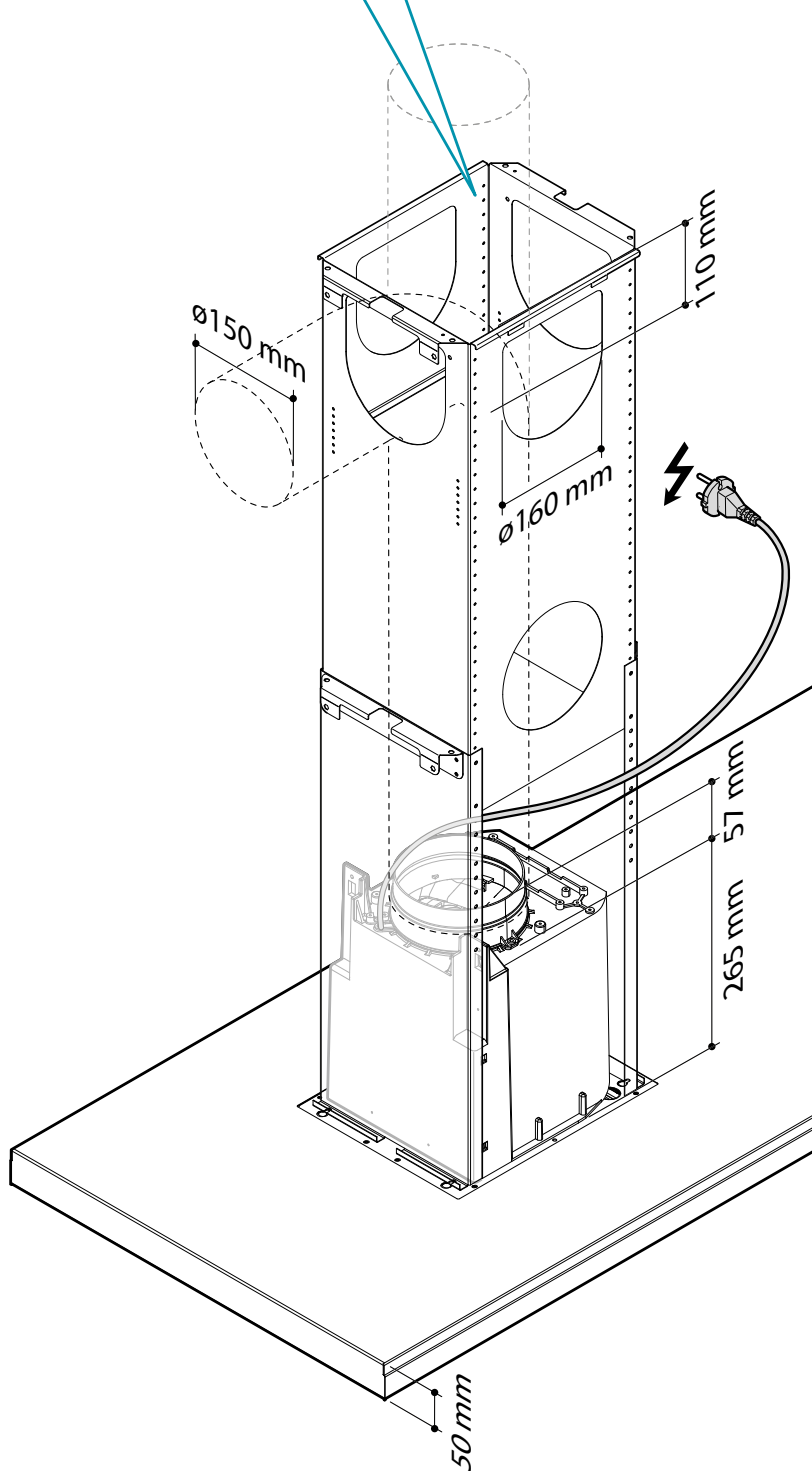
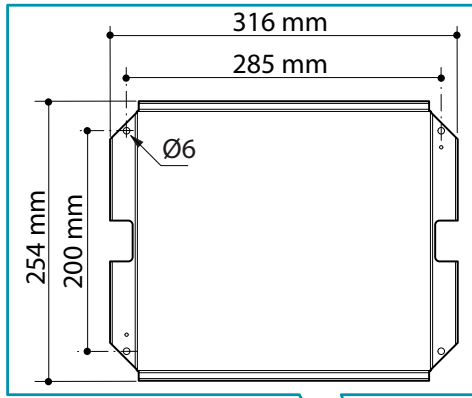
Futuro Futuro
RANGE HOOD
INSTALLATION MANUAL
MODEL: 69" STREAMLINE ISLAND



www.FuturoFuturo.com



STREAMLINE ISLAND 69": ~100 LBS



IT - Uscita laterale utilizzabile solo con controsoffitto.

US - Side outlet which can only be used with false ceiling.

DE - Seitlicher Abzug nur mit Zwischendecke verwendbar.

FR - Sortie latérale utilisable uniquement avec faux-plafond.

ES - Salida lateral utilizable solo con falso techo.

RU - Боковой выход, используемый лишь при наличии подвешного потолка.

PL - Wylot boczny, wykorzystywany tylko na suitach podwieszanych.

NL - Zijdelingse uitgang enkel bruikbaar met vals plafond.

PT - Saída lateral utilizável apenas com revestimento do teto.

DK - Udgang på siden kun til anvendelse med nedhængt loft.

SE - Sidoutgång endast användbar med undertak.

FI - Sivussa oleva poistoaukko käytettävissä vain sisäkaton kanssa.

NO - Sideutgang som kun kan brukes med undertak.

IT - Installazione a soitto (1), installazione a controsoitto (2).
Operazioni preliminari: separare traliccio superiore da traliccio inferiore (3).

US - Ceiling installation (1), false ceiling installation (2).
Preliminary operations: separate upper trellis from lower trellis (3).

DE - Deckeninstallation (1), Zwischendeckeninstallation (2).
Vorbereitende Vorgänge: die obere Strebe von der unteren Strebe trennen (3).

FR - Installation au plafond (1), installation sur faux-plafond (2).
Opérations préliminaires : séparer le rail supérieur du rail inférieur (3).

ES - Instalación en el techo (1), instalación en el contratecho (2).
Operaciones preliminares: separar la estructura superior de la estructura inferior (3).

RU - Монтаж на потолок (1), монтаж на подвесной потолок (2).
Предварительные операции: отделить верхнюю конструкцию от нижней (3).

PL - Instalacja na suicie (1), instalacja na suicie podwieszonym (2).
Operacje wstępne: oddzielić górny słup d słupa dolnego (3).

NL - Installatie aan het plafond (1), installatie aan het verlaagd plafond (2).
Vorbereidingen: scheid het bovenste raamwerk van het onderste raamwerk (3).

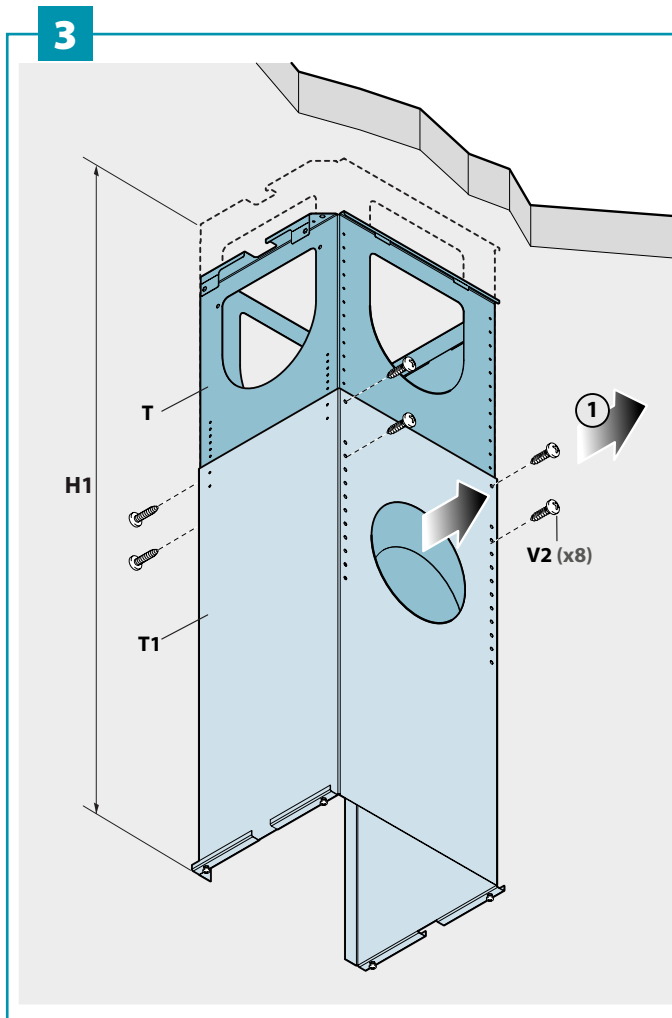
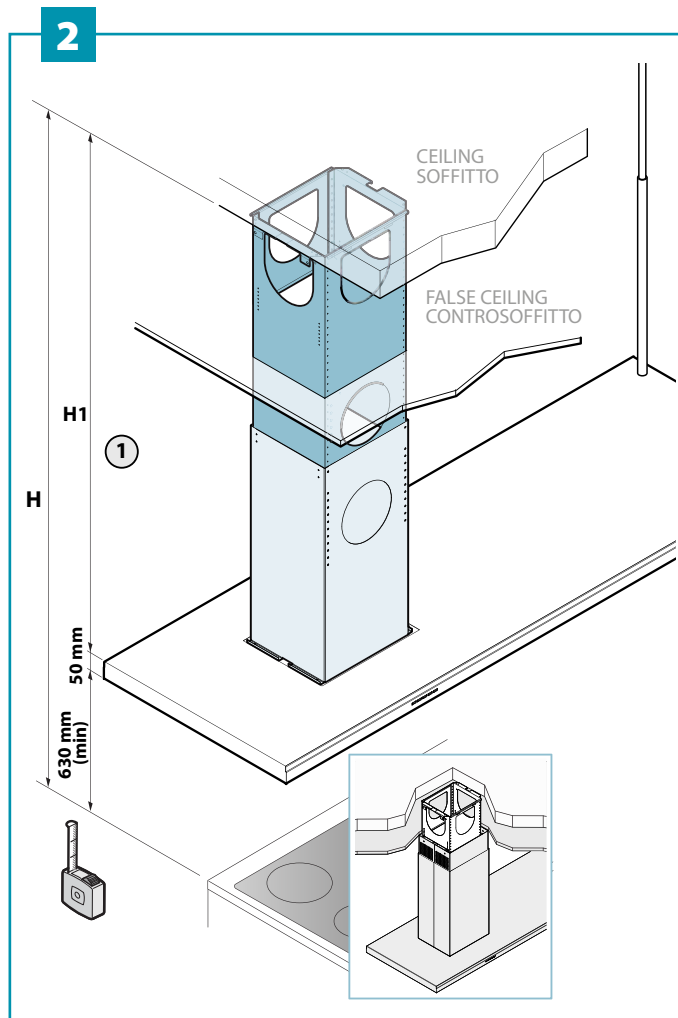
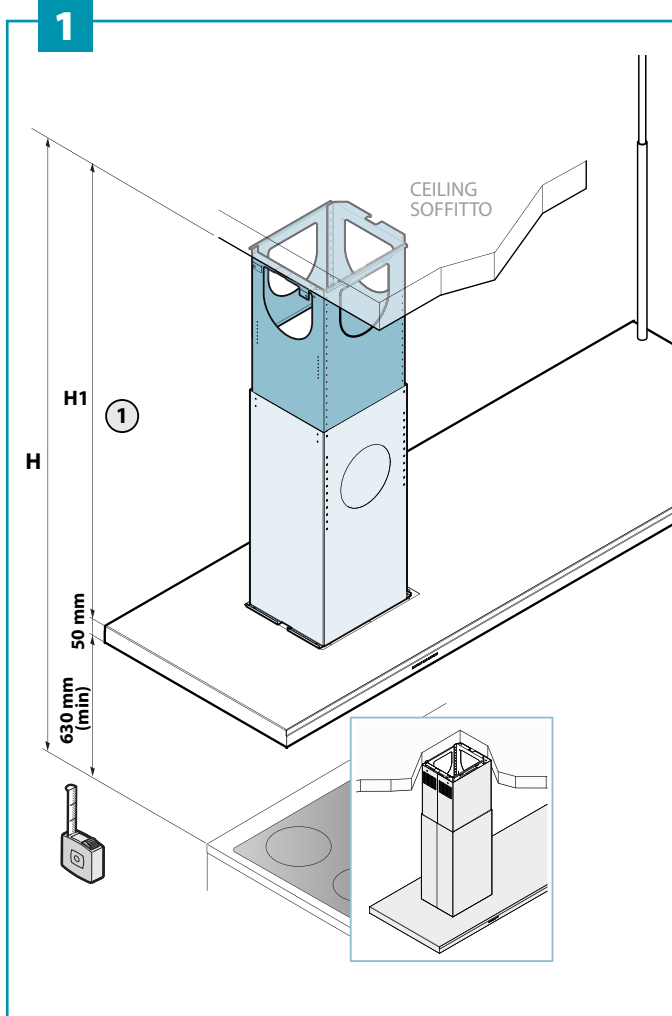
PT - Instalação no teto (1), instalação em teto falso (2).
Operações preliminares: separar a treliça superior da treliça inferior (3).

DK - Installation i loftet (1), installation i nedsænket loft (2).
Forberedelser: skil den øverste tværdrager fra den nederste (3).

SE - Takmontering (1), undertaksmontering (2).
Förberedande arbeten: separera det övre fackverket från det nedre fackverket (3).

FI - Kattoasennus (1), välikattoasennus (2).
Esitoimenpiteet: erota yläsäleikkö alasäleiköstä (3).

NO - Installasjon i tak (1), installasjon i undertak (2).
Forberedende operasjoner: Skill det øvre listverket fra det nedre listverket (3).



IT - installazione su soitto con/senza controsoitto (4)
Fissaggio supporti per tiranti (5).

**US - Installation on ceiling with/without false ceiling (4).
Secure tie rod supports (5).**

DE - Deckeninstallation mit/ohne Zwischendecke (4).
Befestigung Halterungen für Zugstange (5).

FR - Installation au plafond avec/sans faux-plafond (4).
Fixation des supports pour tirants (5).

ES - Instalación en techo con/sin cielo raso (4).
Fijación de los soportes para tirantes (5).

RU - Установка на потолок с/без Подвесным потолком (4).
Крепление опор для тяг (5).

PL - Montaż nasuitowy, na suicie podwieszanym lub murowanym (4).
Mocowanie wsporników dla kotwi (5).

NL - Installatie op het plafond met/zonder vals plafond (4).
Bevestiging steunen voor trekstangen (5).

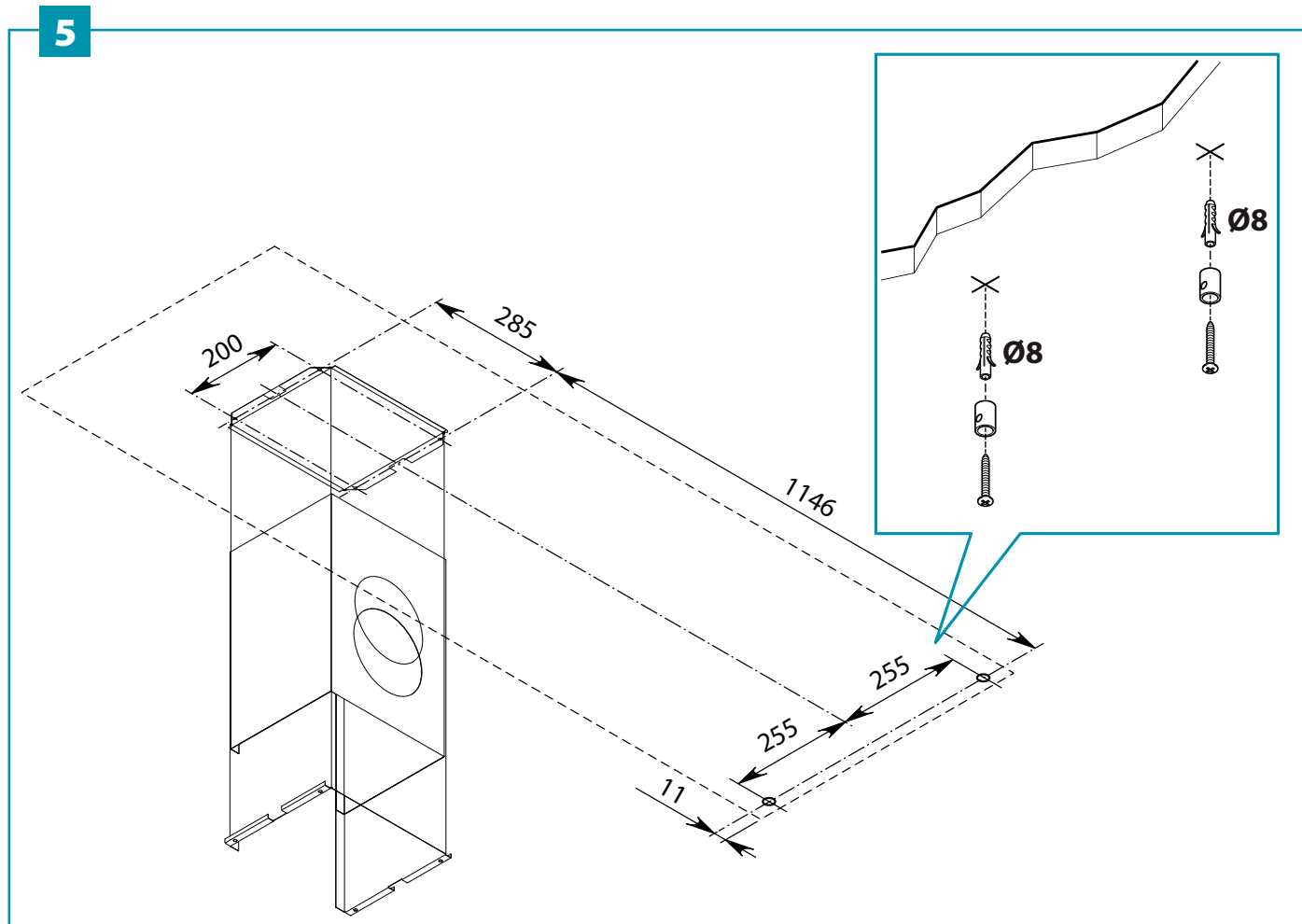
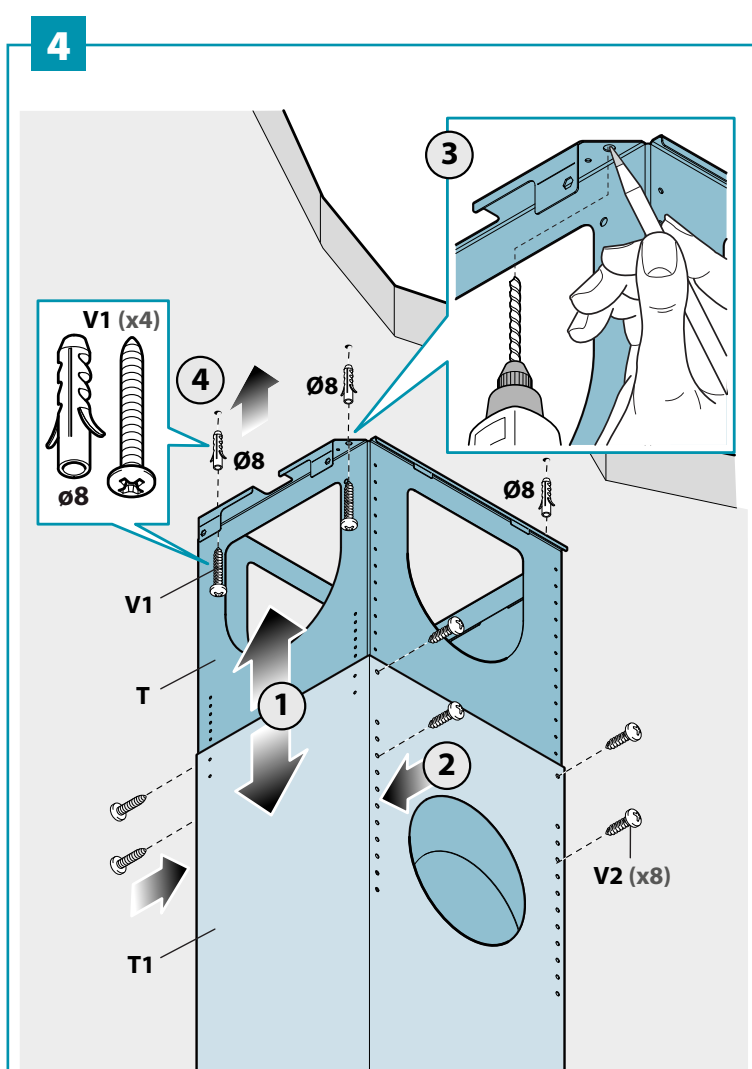
PT - Instalação no teto com/sem revestimento no teto (4).
Fixação dos suportes por tirantes (5).

DK - Installation i loft med/uden nedhængt loft (4).
Fastgøring af beslag til anker (5).

SE - Montering i tak med/utan undertak (4).
Fastsättning av stöd för stag (5).

FI - Asennus kattoon sisäkatolla tai ilman (4).
Kannattimien kiinnitys vetotankoja varten (5).

NO - Installasjon på tak med/uten undertak (4).
Feste av støtter for strekkstag (5).



IT - Installazione valvola di non ritorno (6). Montaggio tubo aspirazione (7). Assemblaggio camino ed estensione (8).

US - Check valve installation (6). Assemble exhaust pipe (7). Assembly chimney and extension (8).

DE - Installation des Rückschlagventils (6). Montage Ansaugrohr (7). Zusammenbau Kamin und Verlängerung (8).

FR - Installation du clapet anti-retour (6). Montage du tuyau d'aspiration (7). Assemblage de la cheminée et de l'extension (8).

ES - Instalación de la válvula antirretorno (6). Montaje del tubo de aspiración (7). Montaje de chimenea y extensión (8).

RU - Установка обратного клапана (6). Монтаж всасывающей трубы (7). Сборка дымохода и удлинителя (8).

PL - Montaż zaworu zwrotnego (6). Montowanie przewodu aspiracji (7). Montaż komina i przedłużenia (8).

NL - Montage terugslagklep (6). Montage inlaatleiding (7). Assemblage schoorsteen en extensie (8).

PT - Instalação da válvula de não retorno (6). Montagem do tubo de aspiração (7). Montagem da chaminé e extensão (8).

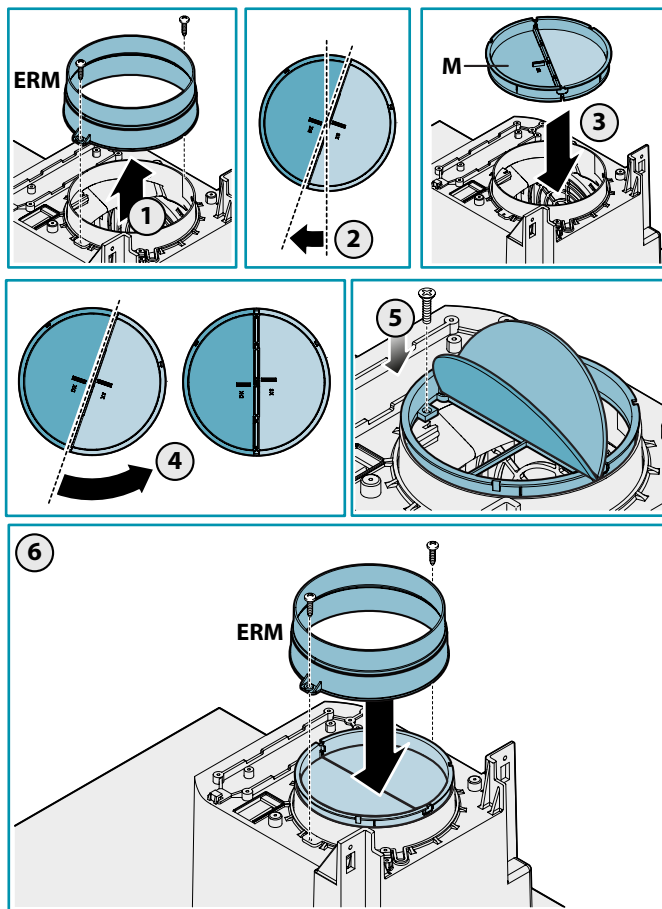
DK - Montage af kontraventil (6). Montering af udsugningsrør (7). Montering af skorsten og forlængelse (8).

SE - Installation av backventilen (6). Montering av sugledning (7). Montering av skorsten och förlängning (8).

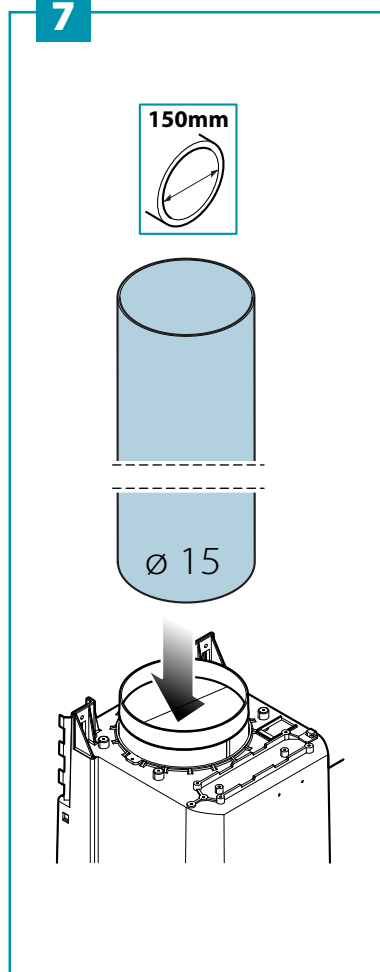
FI - Vastaventtiilin asennus (6). Imuputken (7) asennus. Hormin ja jatkokappaleen (8) kokoaminen.

NO - Installasjon av tilbakeslagsventil (6). Montering av oppsugingsrør (7). Montering av pipe og forlengelse (8).

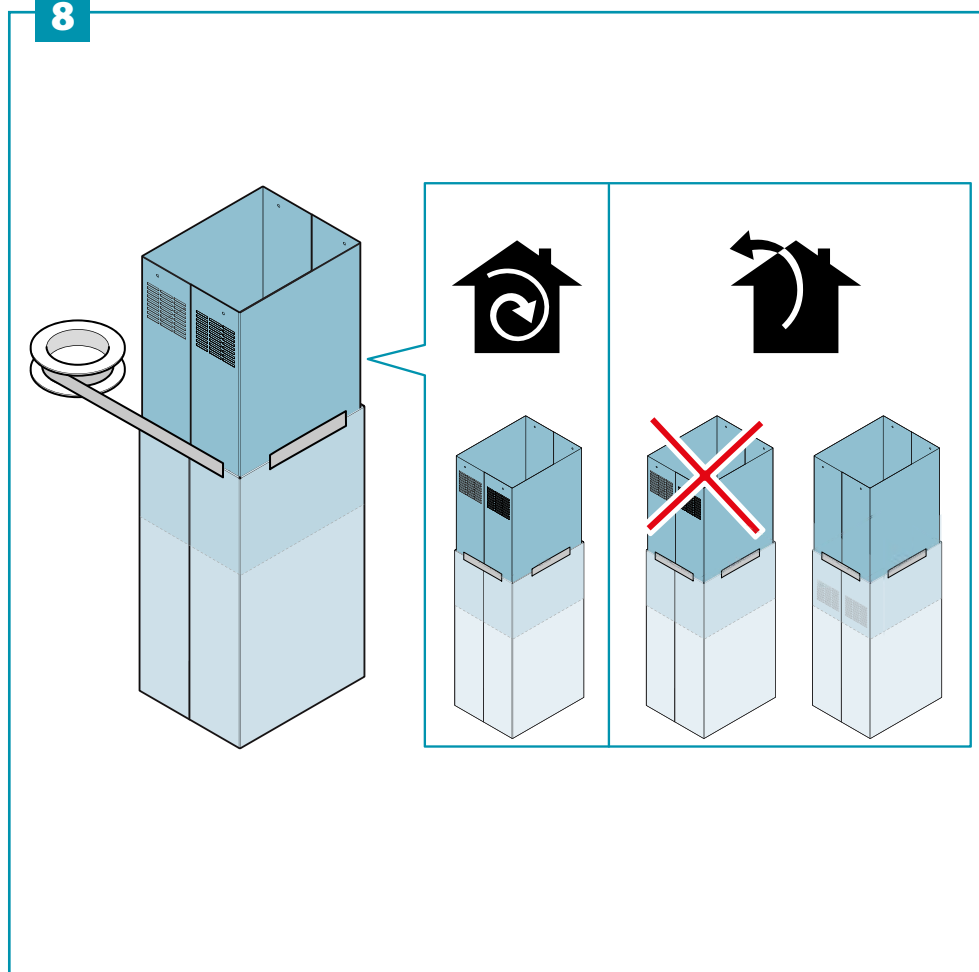
6



7



8



5

IT - Montaggio camino a sofitto (9).

US - Mount chimney on ceiling (9).

DE - Kaminmontage an der Decke (9).

FR - Montage de la cheminée au plafond (9).

ES - Montaje de chimenea en techo (9).

RU - Монтаж дымохода на потолок (9).

PL - Montaż komina na suicie (9).

NL - Montage schoorsteen aan plafond (9).

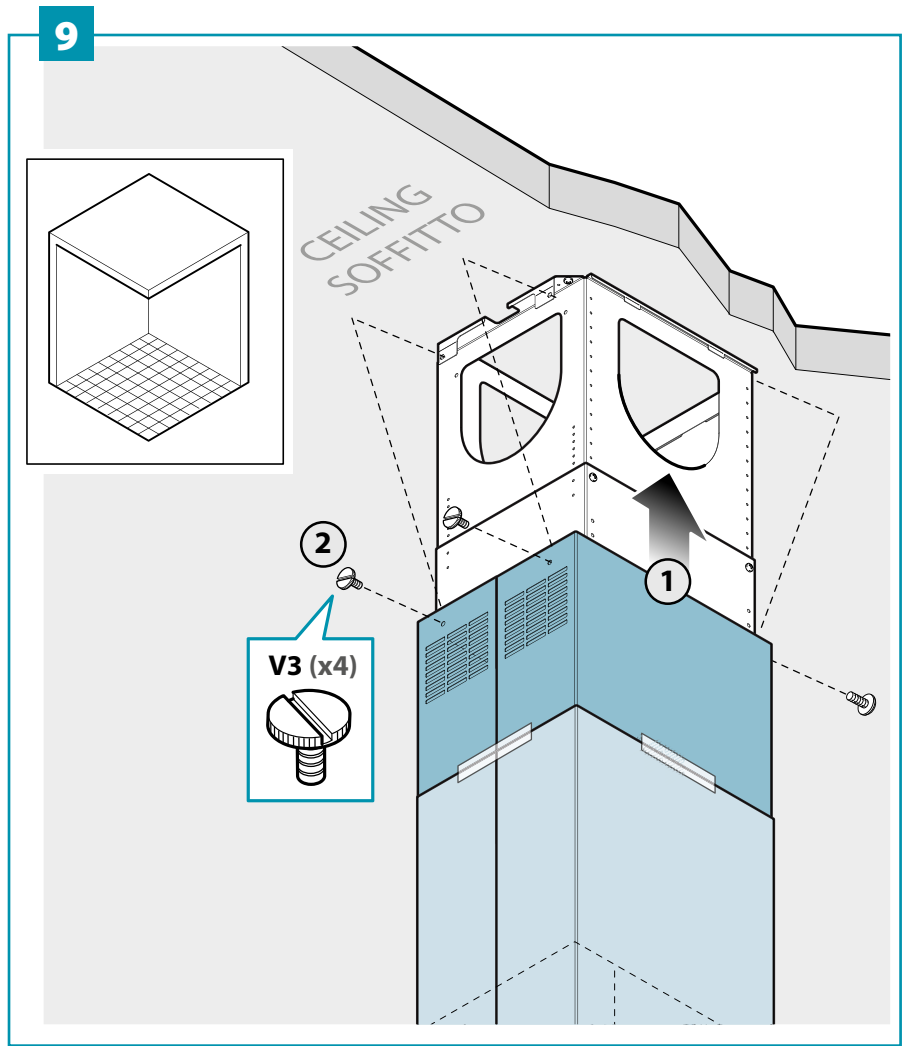
PT - Montagem chaminé no teto (9).

DK - Montering af skorsten i loft (9).

SE - Takmontering av skorsten (9).

FI - Hormin kattoasennus (9).

NO - Montering av pipe i tak (9).



IT - Montaggio camino a controsoffitto (10).

US - Mount chimney on false ceiling (10).

DE - Kaminmontage an der Zwischendecke (10).

FR - Montage de la cheminée au faux-plafond (10).

ES - Montaje de chimenea en falso techo (10).

RU - Монтаж дымохода на подвесной потолок (10).

PL - Montaż komina na podsuitce(10).

NL - Montage schoorsteen aan verlaagd plafond (10).

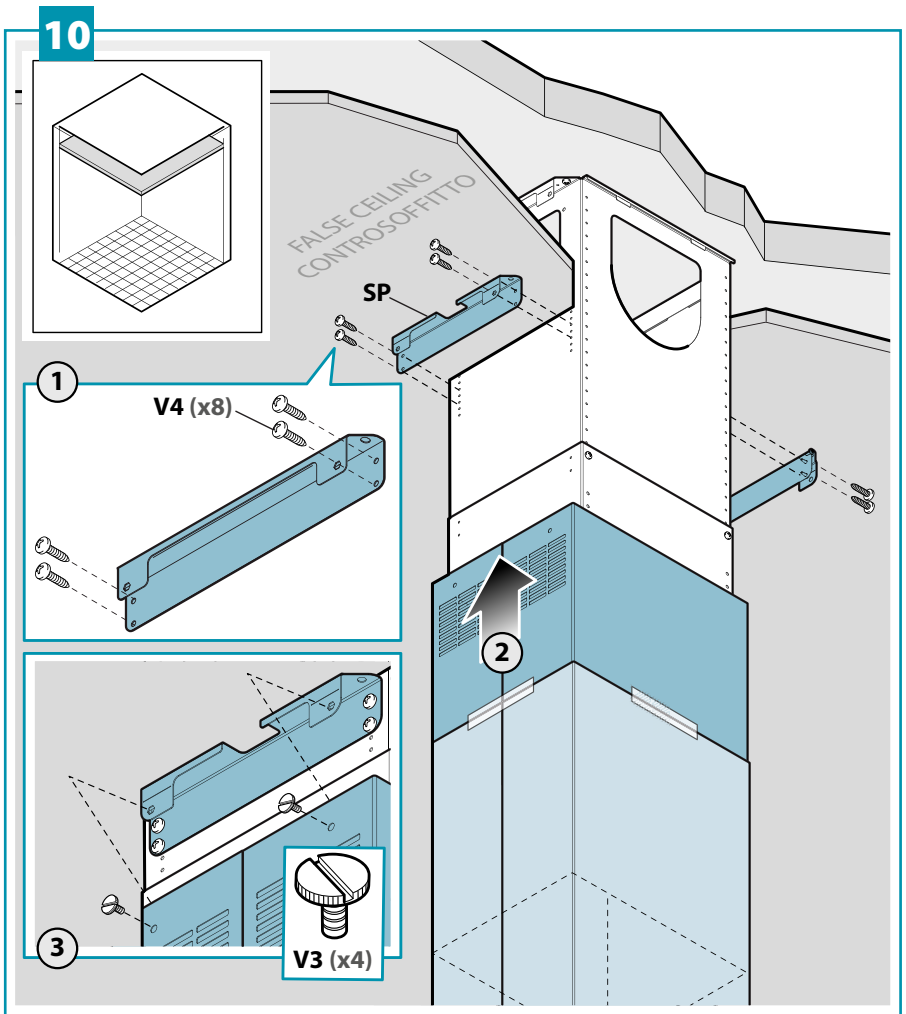
PT - Montagem chaminé no teto falso (10).

DK - Montering af skorsten i nedsænket loft (10).

SE - Undertaksmontering av skorsten (10).

FI - Hormin asennus välikattoon (10).

NO - Montering av pipe i undertak (10).



IT - Togliere pannello (11) e filtri metallici (12).

US - Remove panel (11) and metal filters (12).

DE - Platte (11) und Metallfilter (12) entfernen.

FR - Retirer le panneau (11) et les filtres métalliques (12).

ES - Quitar el panel (11) y los filtros metálicos (12).

RU - Снимите панель (11) и металлические фильтры (12).

PL - Usunąć panel (11) i filtry metalowe (12).

NL- Het paneel (11) en de metalen filters (12) verwijderen.

PT - Retirar painel (11) e filtros metálicos (12).

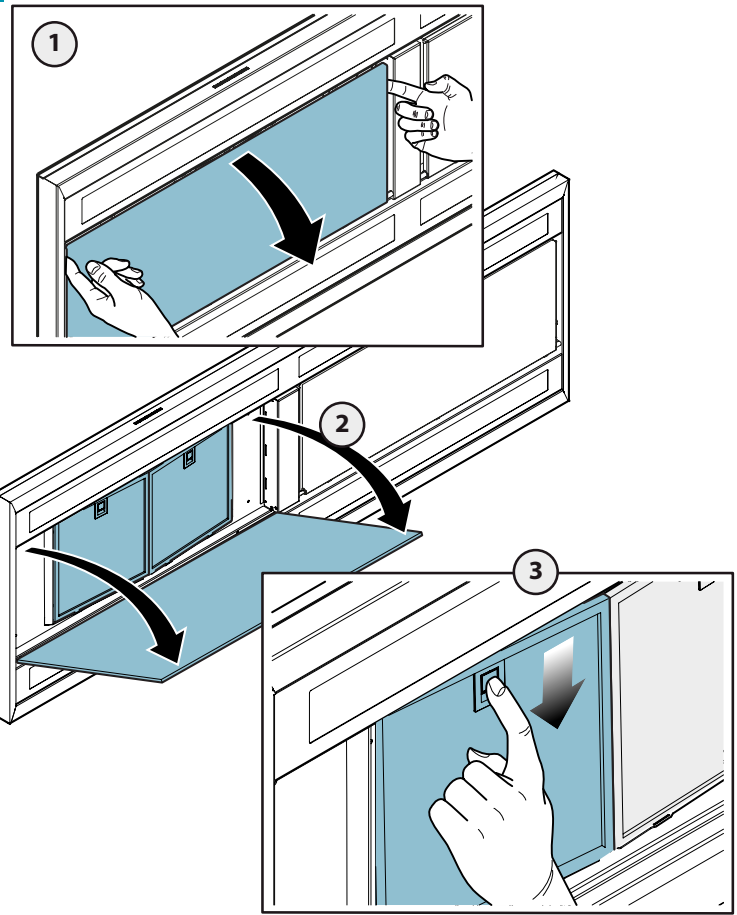
DK - Fjern panelet (11) og metaliltrene (12).

SE - Avlägsna panelen (11) och metalliltren (12).

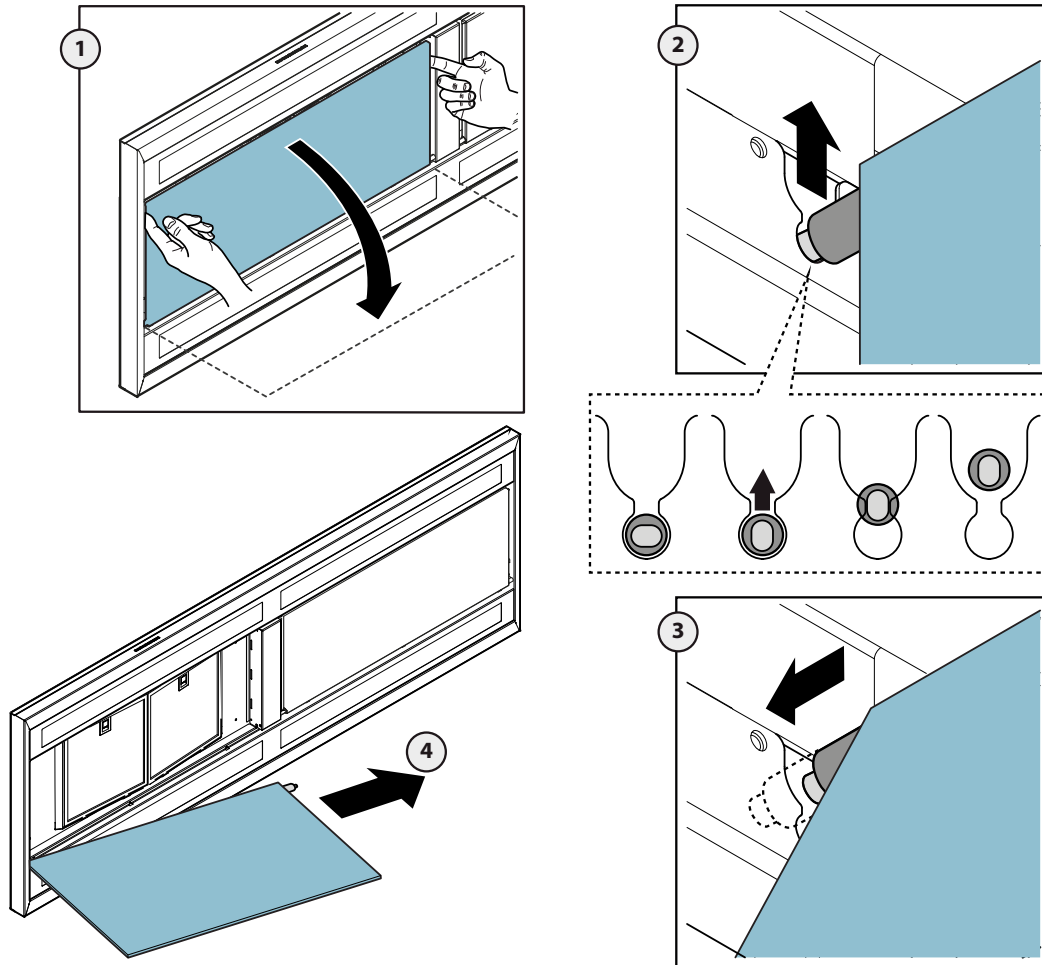
FI - Irrota paneeli (11) ja metallisuodattimet (12).

NO - Fjern panelet (11) og metalliltrene (12).

11



12



IT - Montaggio camera motore (13) e tiranti (14).

US - Mount motor chamber (13) and tie rods (14).

DE - Montage Motorkammer (13) und Zugstange (14).

FR - Montage de la chambre du moteur (13) et des tirants (14).

ES - Montaje de la cámara del motor (13) y tirantes (14).

RU - Монтаж камеры двигателя (13) и тяг (14).

PL - Montaż komory silnika (13) i kotwi (14).

NL - Montage kamer motor (13) en trekstangen (14).

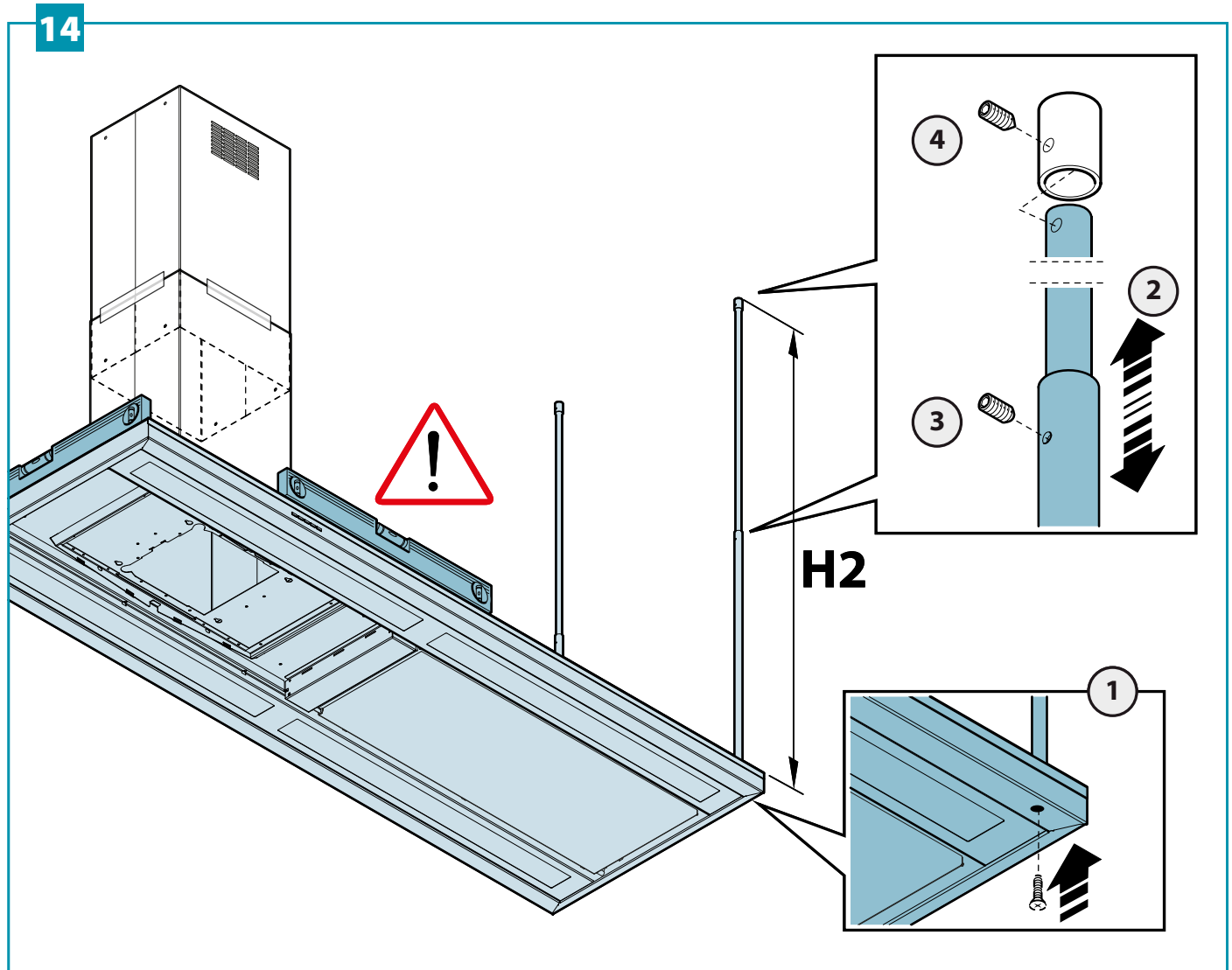
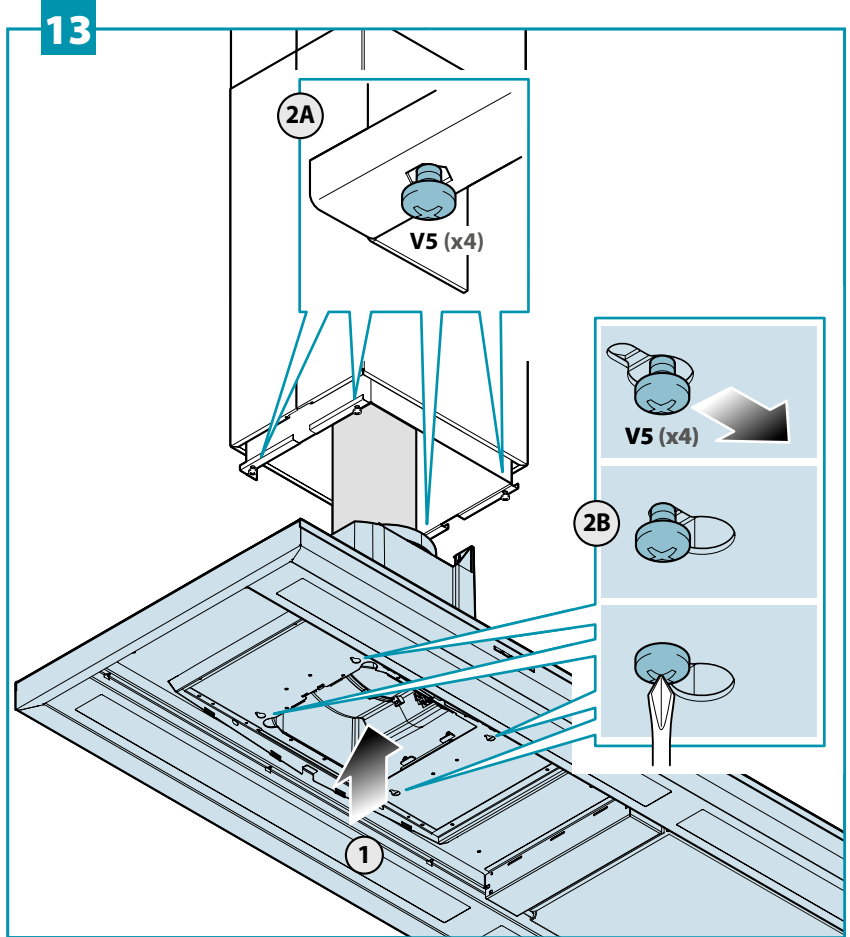
PT - Montagem câmara motor (13) e tirantes (14).

DK - Montering af motorkammer (13) og ankre (14).

SE - Montering av motorrum (13) och stag (14).

FI - Moottorikotelon (13) ja vetotankojen (14) asennus.

NO - Monter motorkammer (13) og strekkstag (14).



IT - Collegamento elettrico (15) e issaggio camino (16).

US - Electrical connections (15) and chimney installation (16).

DE - Elektroanschluss (15) und Abluftkaminbefestigung (16).

FR - Raccord électrique (15) et fixation de la cheminée (16).

ES - Conexión eléctrica (15) y fijación de la chimenea (16).

RU - Электрическое подключение (15) и крепление дымохода (16).

PL - Wykonać połączenie elektryczne (15) i mocowanie kominy (16).

NL - Elektrische aansluiting (15) en bevestiging schoorsteen (16).

PT - Ligação elétrica (15) e fixação chaminé (16).

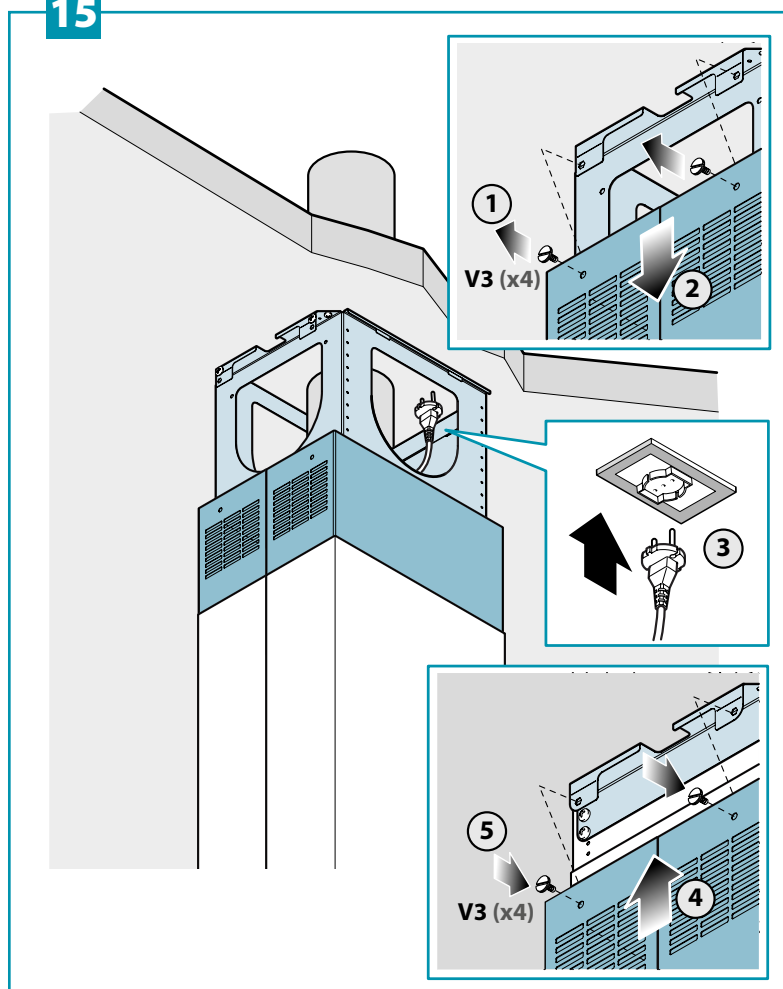
DK - Strømtilslutning (15) og fastgørelse til kamin (16).

SE - Elektrisk anslutning (15) och ixering av kåpa (16).

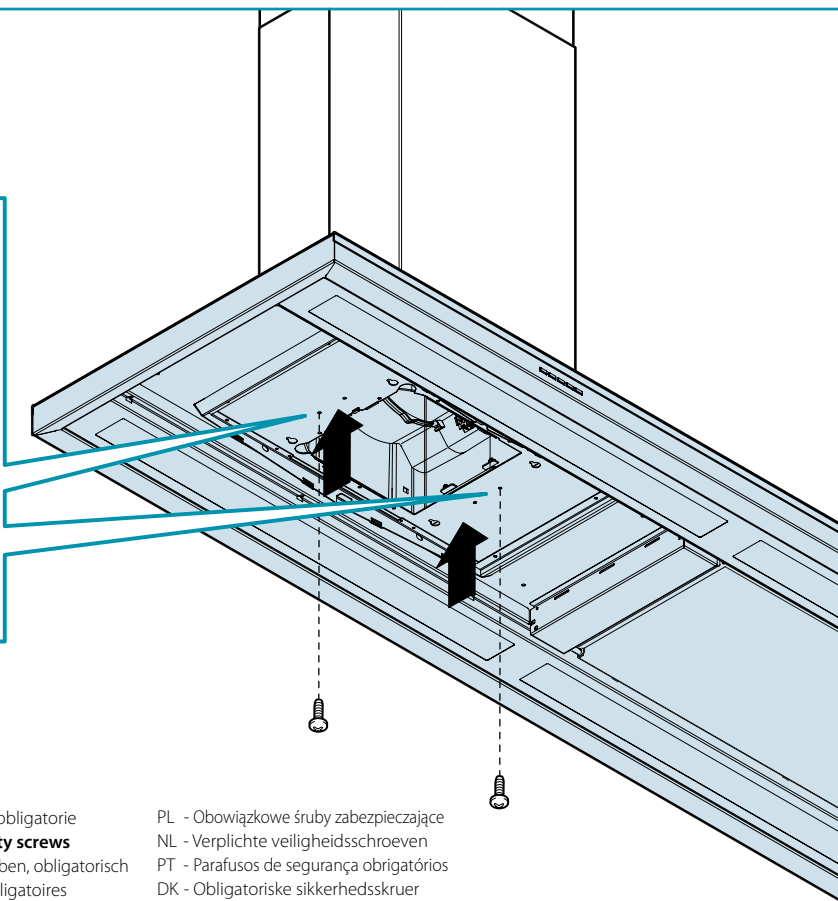
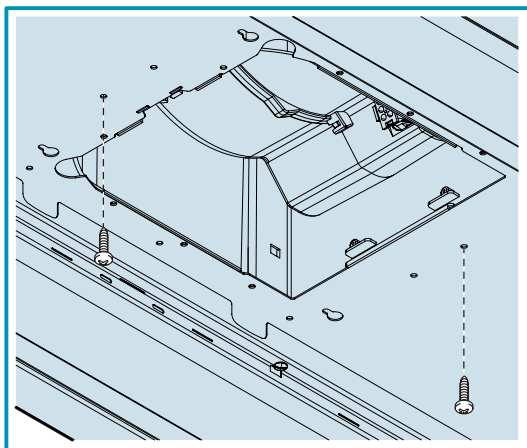
FI - Sähköliitäntä (15) ja kiinnitys hormiin (16).

NO - Elektrisk tilkobling (15) og feste av pipe (16).

15



16



IT - Viti di sicurezza obbligatorie

US - Mandatory safety screws

DE - Sicherheitsschrauben, obligatorisch

FR - Vis de sécurité obligatoires

ES - Tornillos de seguridad obligatorios

RU - Обязательные предохранительные

винты

PL - Obowiązkowe śruby zabezpieczające

NL - Verplichte veiligheidschroeven

PT - Parafusos de segurança obrigatórios

DK - Obligatoriske sikkerhedsskruer

SE - Obligatoriska säkerhetsskruvar

FI - Pakolliset varmistusruuvit

NO - Påkrevde sikkerhetsskruer

IT - Montaggio filtro opzionale (17), (18).

US - Assembly of optional filter (17), (18).

DE - Montage des optionalen Filters (17), (18).

FR - Montage du filtre en option (17), (18).

ES - Montaje del filtro opcional (17), (18).

RU - Монтаж фильтра факультативного (17), (18).

PL - Montaż filtra opcjonalnego (17), (18).

NL - Montage ilter optioneel (17), (18).

PT - Montagem filtro opcional (17), (18).

DK - Montering af ekstra ilter (17), (18).

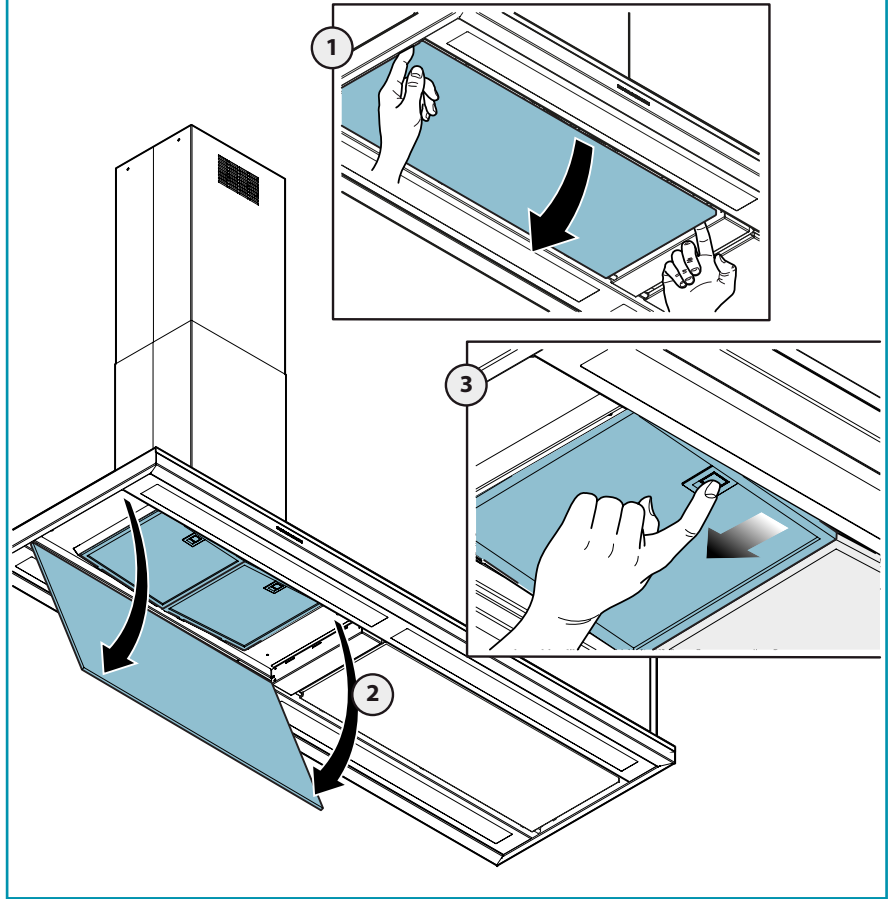
SE - Montering av ilter tillval (17), (18).

FI - Lisävarustesuodattimen asennus (17), (18).

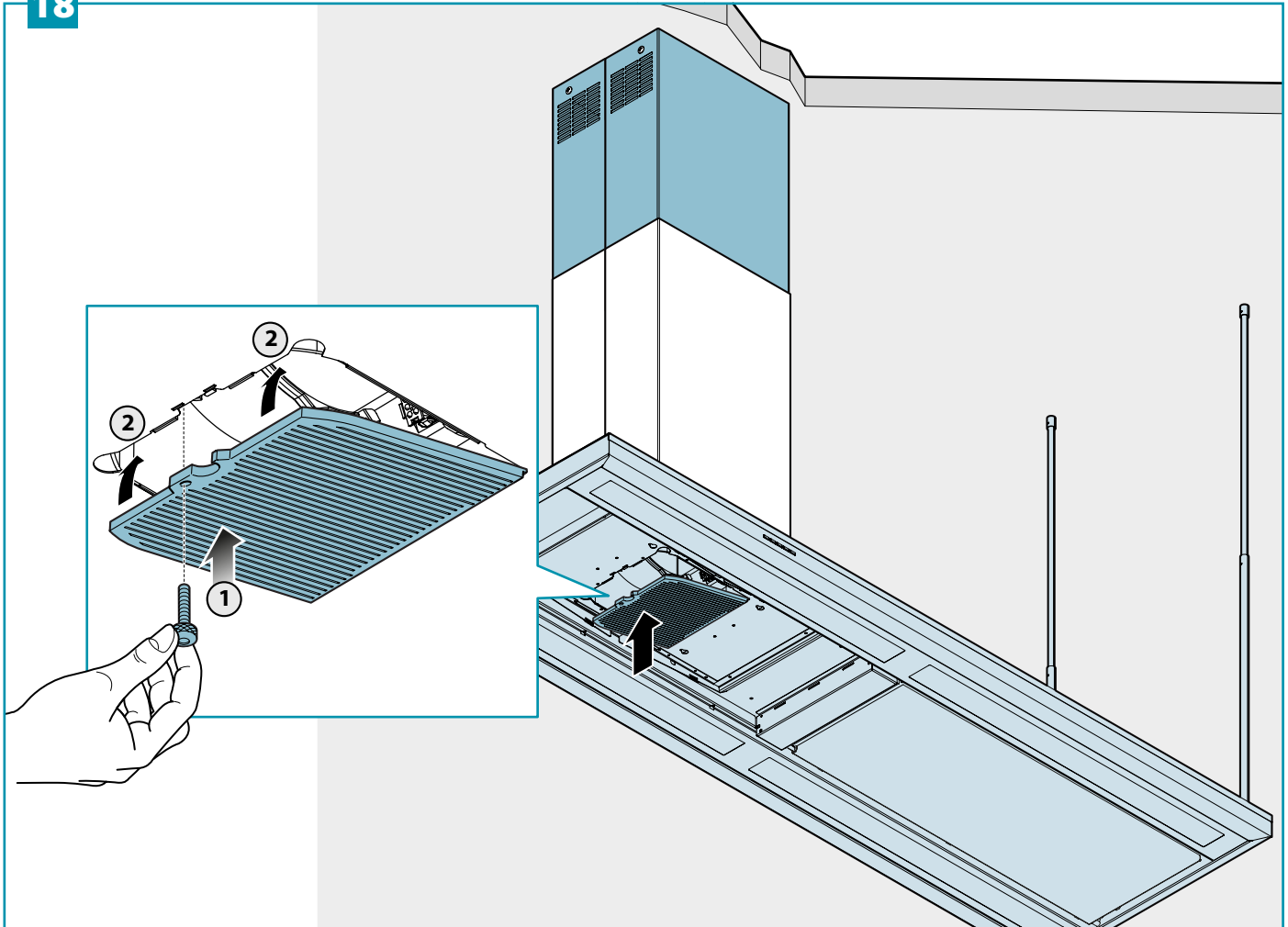
NO - Montering av stilleggsilter (17), (18).



17



18



SAFETY INSTRUCTIONS AND WARNINGS



Installation operations are to be carried out by skilled and qualified installers in accordance with the instructions in this booklet and in compliance with the regulations in force.

DO NOT use the hood if the power supply cable or other components are damaged: disconnect the hood from the electrical power supply and contact the Dealer or an authorised Servicing Dealer for repairs.

Do not modify the electrical, mechanical or functional structure of the equipment.

Do not personally try to carry out repairs or replacements. Interventions carried out by incompetent and unauthorised persons can cause serious damage to the unit or physical and personal harm, not covered by the Manufacturer's warranty.

WARNINGS FOR THE INSTALLER

TECHNICAL SAFETY



Before installing the hood, check the integrity and function of each part. Should anomalies be noted, do not proceed with installation and contact the Dealer.

Do NOT install the hood if an aesthetic (or cosmetic) defect has been detected. Put it back into its original package and contact the dealer.

No claim can be made for aesthetic (or cosmetic) defects once it has been installed.

During installation, always use personal protective equipment (e.g.: Safety shoes) and adopt prudent and proper conduct.

The installation kit (screws and plugs) supplied with the hood is only to be used on masonry walls: in case of installation on walls of a different material, assess other installation options keeping in mind the type of wall surface and the weight of the hood (indicated on page 2).

Keep in mind that installations with different types of fastening systems from those supplied, or which are not compliant, can cause electrical and mechanical seal danger.

Do not install the hood outdoors and do not expose it to atmospheric elements (rain, wind, etc.).

ELECTRICAL SAFETY



The electrical system to which the hood is to be connected must be in accordance with local standards and supplied with earthed connection in compliance with safety regulations in the country of use. It must also comply with European standards regarding radio antistatic properties.

Before installing the hood, check that the electrical mains power supply corresponds with what is reported on the identification plate located inside the hood.

The socket used to connect the installed equipment to the electrical power supply must be within reach: otherwise, install a mains switch to disconnect the hood when required.

Any changes to the electrical system must be carried out by a qualified electrician.

The maximum length of the lue fastening screws (supplied by the manufacturer) must be 13 mm. Use of non-compliant screws with these instructions can lead to danger of an electrical nature.

Do not try to solve the problem yourself in the event of equipment malfunction, but contact the Dealer or an authorised Servicing Department for repairs.



When installing the hood, disconnect the equipment by removing the plug or switching off the main switch.

FUMES DISCHARGE SAFETY



Do not connect the equipment to discharge pipes of fumes produced from combustion (for example boilers, irreplace, etc.).

Before installing the hood, ensure that all standards in force regarding discharge of air out of the room have been complied with.

USER WARNINGS



These warnings have been drawn up for your personal safety and those of others. You are therefore kindly asked to read the booklet carefully in its entirety before using the or cleaning the equipment.

The Manufacturer declines all responsibility for any damage caused directly, or indirectly, to persons, things and pets as a consequence of failing to comply with the safety warnings indicated in this booklet.

It is imperative that this instructions booklet is kept together with the equipment for any future consultation.

If the equipment is sold or transferred to another person, make sure that the booklet is also supplied so that the new user can be made aware of the hood's operation and relative warnings.

After the stainless steel hood has been installed, it will need to be cleaned to remove any residues remaining from the protection adhesive as well as any grease and oil stains which, if not removed, can cause irreversible damage to the hood surface. To properly clean the unit, the manufacturer recommends using the supplied moist wipes, which are also available sold separately.

Insist on original spare parts.

INTENDED USE

The equipment is solely intended to be used to extract fumes generated from cooking food in non-professional domestic kitchens: any other use is improper. Improper use can cause damage to persons, things, pets and exempts the Manufacturer from any liability.

The equipment can be used by children over the age of 8 and by persons with reduced physical, sensory and mental abilities, or with no experience or knowledge, as long as they do so under supervision or after having received relative instructions regarding safe use of the equipment and understanding of the dangers connected to it.

Children are not to play with the equipment. Cleaning and maintenance by the user must not be carried out by children without supervision.

USE AND CLEANING WARNINGS



Before cleaning or carrying out maintenance operations, disconnect the equipment by removing the plug or switching off the main switch.

Do not use the hood with wet hands or bare feet.

Always check that all electrical parts (lights, extractor fan) are of when the equipment is not being used.

The maximum overall weight of any objects placed or hung (if applicable) on the hood must not exceed 1.5 Kg.

Always supervise the cooking process during the use of deep-fryers: Overheated oil can catch fire.

Do not leave open, unattended flames under the hood.

Do not prepare food over an open flame under the hood.

Never use the hood without the metal anti-grease filters: in this case, grease and dirt will deposit in the equipment and compromise its operation.

Accessible parts of the hood can be hot when used at the same time as the cooking appliances.

Do not carry out any cleaning operations when parts of the hood are still hot.

There can be a risk of fire if cleaning is not carried out according to the instructions and products indicated in this booklet.

Disconnect the main switch when the equipment is not used for long periods of time.



If other appliances that use gas or other fuels are being used at the same time (boiler, stove, irreplace, etc.), make sure the room where the fumes are discharged is well-ventilated, in compliance with the local regulations.

INSTALLATION

only intended for qualified personnel



Before installing the hood, carefully read the chapter 'SAFETY INSTRUCTIONS AND WARNINGS'.

TECHNICAL FEATURES

The technical specifications are exhibited on the labels located inside the hood.

POSITIONING

The minimum distance between the highest part of the cooking equipment and the lowest part of the hood is indicated in the installation instructions.

Generally, when the hood is placed over gas cookers, the distance must be at least 65 cm (25.6"). However, according to an interpretation of standard EN60335-2-31 dated 11-07-2002 of TC61 (sub-clause 7.12.1 meeting 15 agenda item 10.11), the minimum distance between the cooker and lower part of the hood can be reduced to the quota reported in the installation instructions.

Should the instructions for the gas cooker specify a greater distance, this must be taken into consideration.

Do not install the hood outdoors and do not expose it to outdoor environment (rain, wind, etc.).

ELECTRICAL CONNECTION

(only intended for qualified personnel)



Disconnect the equipment from electrical mains power supply before carrying out any operations on the hood.

Ensure that the wires inside the hood are not disconnected or cut: in the event of damage, contact your nearest Servicing Department.

Refer to qualified personnel for electrical connections.

Connection must be carried out in compliance with the provisions of law in force.

Before connecting the hood to the electrical mains power supply, check that:

- voltage supply corresponds with what is reported on the data plate located inside the hood;
- the electrical system is compliant and can withstand the load (see the technical specifications located inside the hood);
- the power supply plug and cable do not come into contact with temperatures exceeding 70 °C;
- the power supply system is effectively and properly connected to earth in compliance with regulations in force;
- the socket used to connect the hood is within reach.

In case of:

- devices fitted with cables without a plug: the type of plug to use is a "standardised" one. The wires must be connected as follows: yellow-green for earthing, blue for neutral and brown for the phase. The plug must be connected to an adequate safety socket.
- fixed equipment not provided with a power supply cable and plug, or any other device that ensures disconnection from the electrical mains, with an opening gap of the contacts that enables total disconnection in overvoltage category III conditions. Said disconnection devices must be provided in the mains power supply in compliance with installation regulations.

The yellow/green earth cable must not be cut of by the switch.

The Manufacturer declines all responsibility for failure to comply with the safety regulations.

FUMES DISCHARGE

EXTERNAL EXHAUST HOOD (SUCTION)



In this version the fumes and vapours are discharged outside through the exhaust pipe. To this end, the hood outlet fitting must be connected via a pipe, to an external output.

The outlet pipe must have:

- * A diameter of not less than that of the blower output collar.
- * A slight slope downwards (drop) in the horizontal section, to stop condensation from getting back into the blower motor.
- * The minimum possible number of bends (elbows).
- * Shortest possible length, to avoid loss of suction & creating additional noise.
- * A termination outside of the house (NOT in an attic or garage).
- * A damper (backdraft) or a louvered vent, to prevent outside air backflow.

HOOD WITH INTERNAL RECIRCULATION (FILTERING)



In this model, the air passes through the charcoal filters to be purified and recycled in the environment.

Ensure that the active carbon filters are assembled into the hood, if not, install them as indicated in the assembly instructions.



In this version the check valve must not be assembled: remove it if it is on the air outlet fitting of the motor.

ASSEMBLY INSTRUCTIONS

only intended for personnel qualified



The hood can be installed in various configurations. The generic assembly steps apply to all installations; for each case, follow the specific steps provided for the required installation.

OPERATION

WHEN TO TURN ON THE HOOD?

Switch on the hood at least one minute before starting to cook to direct fumes and vapours towards the suction surface.

After cooking, leave the hood operating until complete extraction of all vapours and odours. By means of the Timer function, it is possible to set auto switch-off function which will allow the hood to turn off automatically after 15 minutes of operation.

WHICH SPEED IS TO BE SELECTED?

1st speed: maintains the circulation of clean air with low electricity consumption.

2nd speed: normal conditions of use.

3rd speed: presence of strong odours and vapours.

4th speed: rapid disposal of odours and vapours.

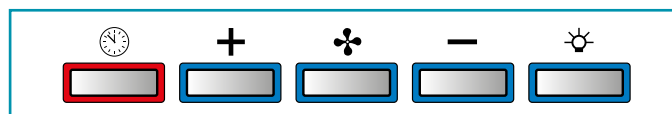
WHEN SHOULD THE FILTERS BE WASHED OR REPLACED?

The metal filters must be cleaned every 30 hours of operation.

The active carbon filters must be replaced every 3-4 months, depending on the use of the hood.

For further details see the "MAINTENANCE" chap.

ELECTRONIC PUSHBUTTON PANEL



	Motor ON/OFF Upon start-up, the speed is that stored at the previous operation.	
	Increase speed from 1 to 4 Speed 4 is only active for a few minutes, then speed 3 activates.	The speeds are indicated by the LEDs on the keys: Speed 1 Speed 2 Speed 3 Speed 4 ("+" LED lashing)
	Reduce speed from 4 to 1	
	Light on/off	
	TIMER (red LED flashing) Auto switch-off after 15 min. The function deactivates (red LED off) if: - The TIMER key (🕒) is pressed again. - The ON/OFF key (🌀) is pressed.	
	FILTER ALARM (red LED steady on with (🌀) off) Anti-grease filter maintenance after approximately 30 hours of operation. Press (🕒) the meter for 3 seconds to reset.	

MAINTENANCE



Before cleaning or carrying out maintenance operations, disconnect the equipment by removing the plug or switching off the main switch. Do not use detergents containing abrasive, acidic or corrosive substances or abrasive cloths.

Regular maintenance guarantees proper operation and performance over time.

Special attention is to be paid to the metal anti-grease filters: frequent cleaning of the filters and their supports ensures that no flammable grease is accumulated.

CLEANING OF EXTERNAL SURFACES

You are advised to clean the external surfaces of the hood at least once every 15 days to prevent oily substances and grease from sticking to them. To clean the brushed stainless steel hood, the Manufacturer recommends using "Magic Steel" wipes.

Alternatively and for all the other types of surfaces, it can be cleaned using a damp cloth, slightly moistened with mild, liquid detergent or denatured alcohol.

Complete cleaning by rinsing well and drying with soft cloths.



Do not use too much moisture or water around the push button control panel and lighting devices in order to prevent humidity from reaching electronic parts.

The glass panels can only be cleaned with specific, non-corrosive or non-abrasive detergents using a soft cloth.

The Manufacturer declines all responsibility for failure to comply with these instructions.

CLEANING OF INTERNAL SURFACES



Do not clean electrical parts, or parts related to the motor inside the hood, with liquids or solvents.

For the internal metal parts, see the previous paragraph.

METAL ANTI-GREASE FILTERS

It is advised to frequently wash the metal filters (at least once a month) leaving them to soak in boiling water and cleaning solution for 1 hour, taking care not to bend them.

Do not use corrosive, acid or alkaline detergents.

Rinse them well and wait for them to be completely dry before reassembling them.

Washing in a dishwasher is permitted, however, it may cause the filter material to darken: to reduce the possibility of this problem from happening, use low-temperature washes (55°C max.).

To extract and insert the metal anti-grease filters see the assembly instructions.

ACTIVE CARBON FILTERS

These filters retain the odours in the air that passes through them. The purified air is recirculated into the environment.

The active carbon filters must be replaced on average every 3-4 months under normal conditions of use.

See assembly instructions to replace the active carbon filters.

LIGHTING

The hood has fluorescent lamp lighting.

If the lamp ever needs to be replaced, proceed as shown in the figure 19+20.

DISPOSAL AFTER END OF USEFUL LIFE



The crossed-out trash or refuse bin symbol on the appliance means that the product is WEEE, i.e. "Waste electrical and electronic equipment", accordingly it must not be disposed of with regular unsorted waste (i.e. with "mixed household waste"), but it must be disposed of separately so that it can undergo specific processing for its re-use, or a specific treatment, to remove and safely dispose of any substances that may be harmful to the environment and remove the raw materials that can be recycled. Proper disposal of these products contributes to saving valuable resources and avoid potential negative effects on personal health and the environment, which may be caused by inappropriate disposal of waste.

You are kindly asked to contact your local authorities for further information regarding the designated waste collection points nearest to you. Penalties for improper disposal of such waste can be applied in compliance with national regulations.

INFORMATION ON DISPOSAL IN EUROPEAN UNION COUNTRIES

The EU WEEE Directive was implemented differently in each country, accordingly, if you wish to dispose of this appliance we suggest contacting your local authorities or dealer to find out what the correct method of disposal is.

INFORMATION ON DISPOSAL IN NON-EUROPEAN UNION COUNTRIES

The crossed-out trash or refuse bin symbol is only valid in the European Union: if you wish to dispose of this appliance in other countries, we suggest contacting your local authorities or dealer to find out what the correct method of disposal is.



WARNING!

The Manufacturer reserves the right to make changes to the equipment at any time and without prior notice. Printing, translation and reproduction, even partial, of this manual are bound by the Manufacturer's authorisation.

Technical information, graphic representations and specifications in this manual are for information purposes and cannot be divulged.

This manual is written in Italian. The Manufacturer is not responsible for any transcription or translation errors.